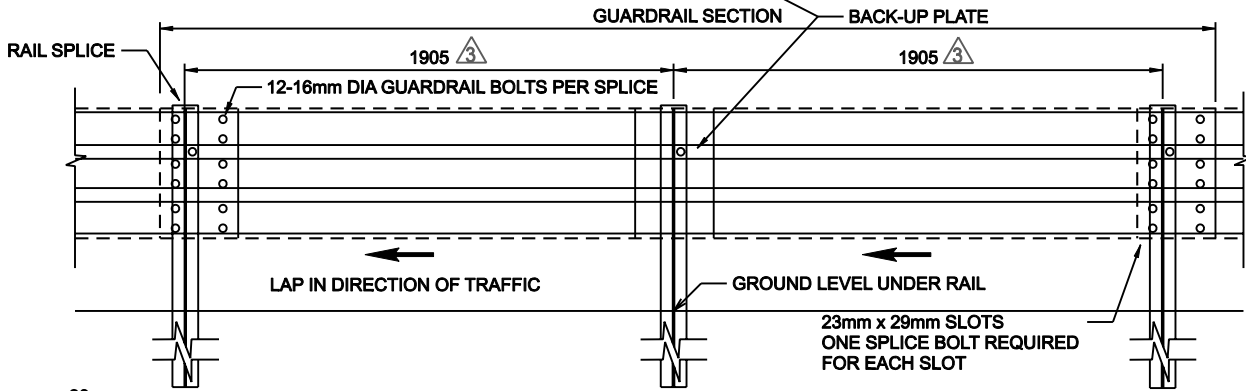
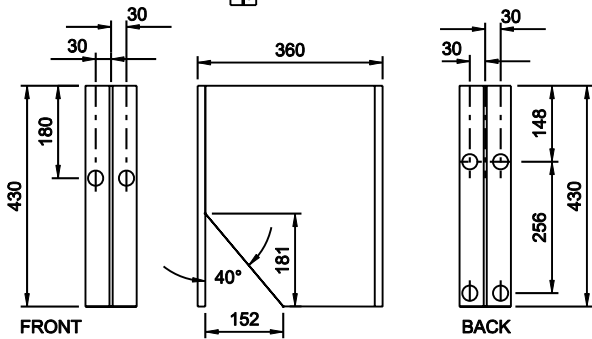


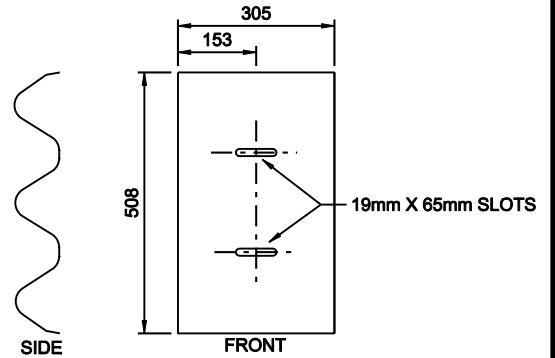
**PLAN**



**ELEVATION**



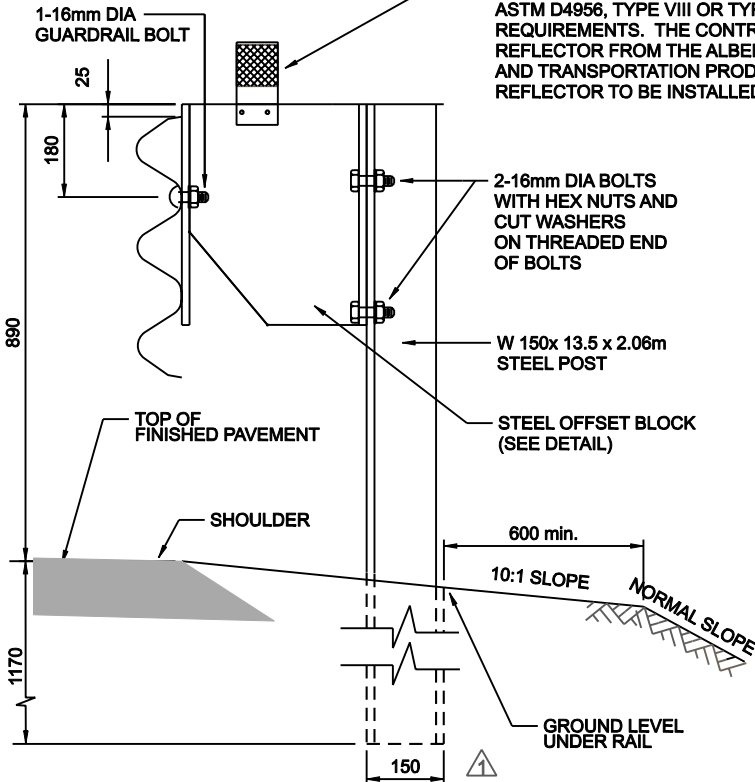
**M360 x 25.6 STEEL  
STEEL OFFSET BLOCK**



**THRIE BEAM BACK-UP  
PLATE DETAILS**

REFLECTOR IS WHITE DOUBLE SIDED SHEETING 108mm x 76mm (MINIMUM) WHICH SHALL MEET ASTM D4956, TYPE VIII OR TYPE IX BRIGHTNESS REQUIREMENTS. THE CONTRACTOR SHALL SELECT THE REFLECTOR FROM THE ALBERTA INFRASTRUCTURE AND TRANSPORTATION PRODUCTS LIST. REFLECTOR TO BE INSTALLED ON EVERY 6th POST.

- Notes:  
 1. ALL HARDWARE TO BE HOT-DIP GALVANIZED  
 2. DETAILS ARE NOT TO SCALE  
 3. DIRECTION OF TRAFFIC INDICATED BY ←



**POST AND SPACER DETAIL**

BOLTS ARE TO BE INSTALLED AS SHOWN SO THAT THE THREADED END OF THE BOLTS AND NUTS ARE PLACED AWAY FROM TRAFFIC SIDE OF RAIL.

| No. | REVISIONS                             | BY   | DATE     |
|-----|---------------------------------------|------|----------|
| 1   | REFLECTOR NOTE & POST SPACING REVISED | B.K. | 5 JUN 07 |
| 2   | REFLECTOR NOTE REVISED                | B.K. | 08/11/06 |
| 3   | DIMENSION AND REFLECTOR DETAILS       | B.K. | 12/07/05 |

Approved:  
 Original signed by  
 Allan Kwan  
 Executive Director,  
 Technical Standards Branch

Date: January, 2005

**Alberta**  
 Transportation

**MODIFIED THRIE BEAM  
 GUARDRAIL**

**SUPERSEDED**

|                  |                 |               |                          |
|------------------|-----------------|---------------|--------------------------|
| Prepared By: M.T | Checked By: B.K | Scale: N.T.S. | Dwg No.: <b>TEB 3.70</b> |
|------------------|-----------------|---------------|--------------------------|