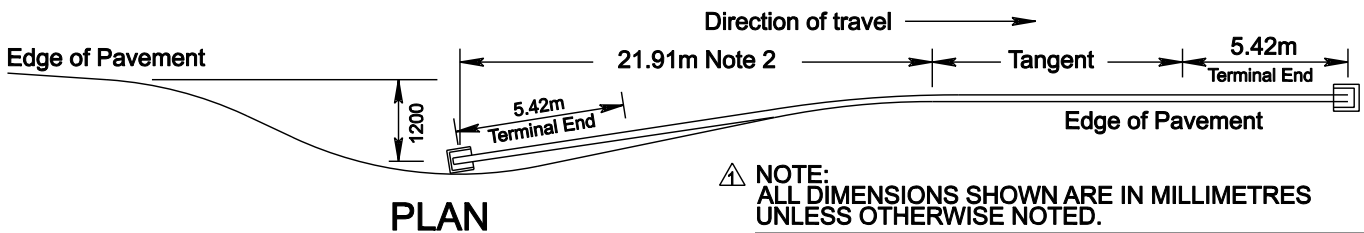
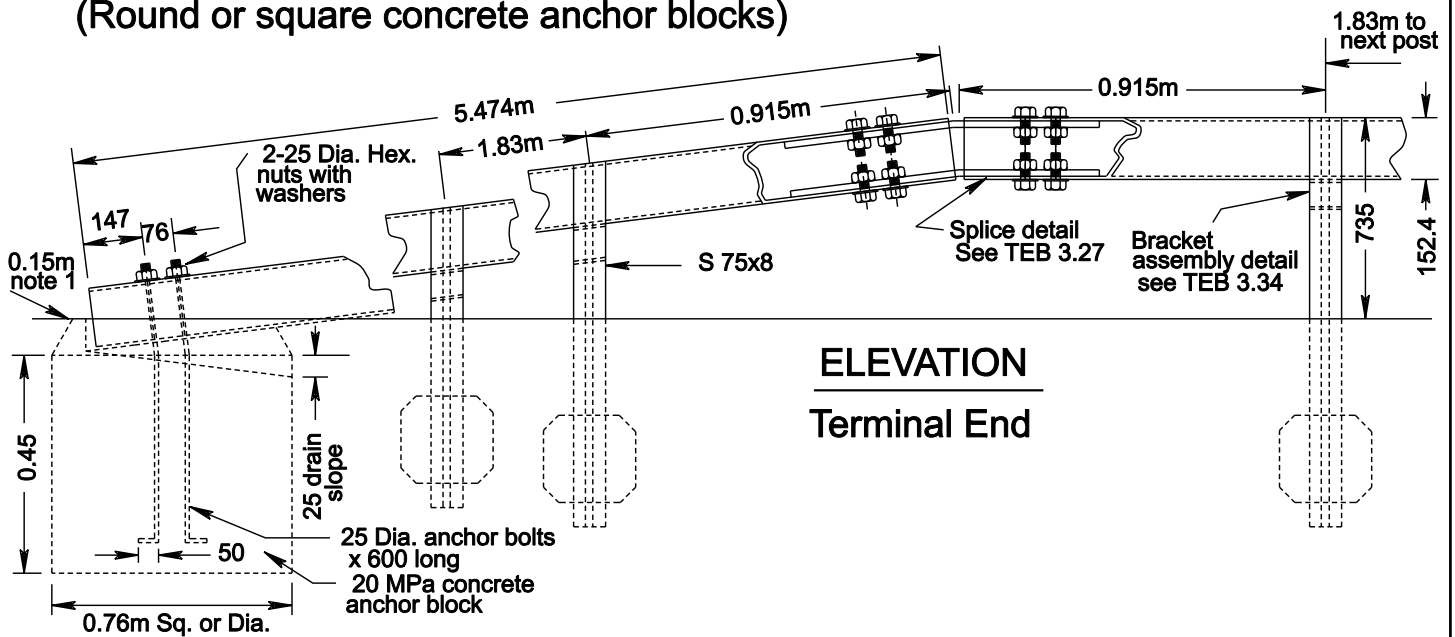
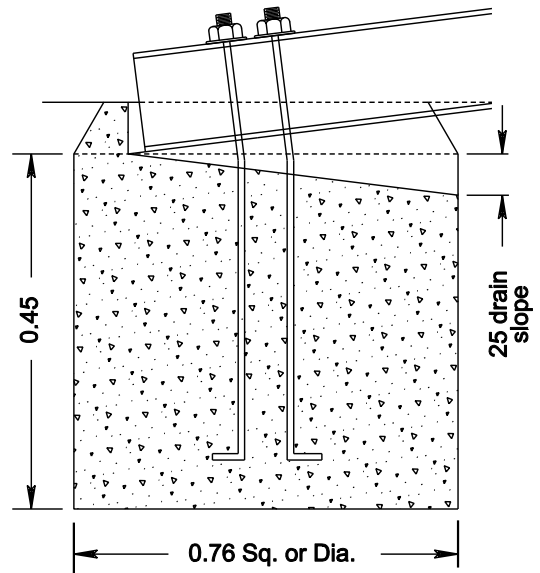


(Round or square concrete anchor blocks)



NOTE: ALL DIMENSIONS SHOWN ARE IN MILLIMETRES UNLESS OTHERWISE NOTED.

Alberta TRANSPORTATION AND UTILITIES Traffic Engineering Section Roadway Engineering Branch	DWG. No.	TEB 3.37
	Date	DEC. 13/92
	Revision	June 95
	Revision	April 07

**STANDARD BOX BEAM GUARDRAIL
 INSTALLATION DETAIL FOR
 END TREATMENT**

OBSOLETE
 1 SEPTEMBER 2011

1 SEPT. 2011. TURN DOWN ENDS WILL NO LONGER BE ACCEPTABLE FOR NEW INSTALLATIONS OR REPLACEMENT OF EXISTING ENDS. CRASH WORTHY END TREATMENTS SHALL BE USED.