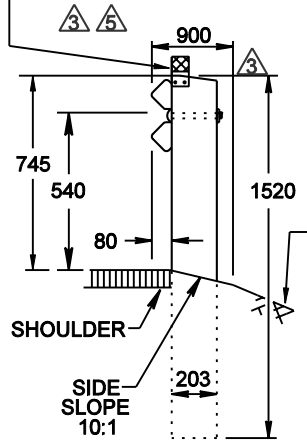
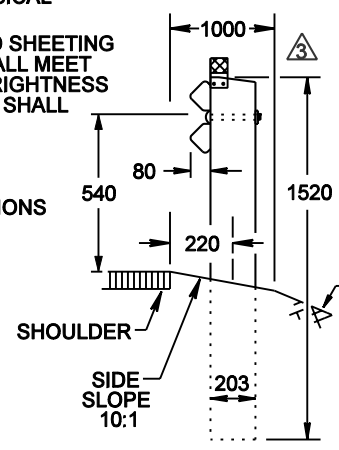


* LENGTH OF STANDARD STRAIGHT GUARDRAIL IS DETERMINED BY PHYSICAL NEED. STANDARD SPACING IS 3810.

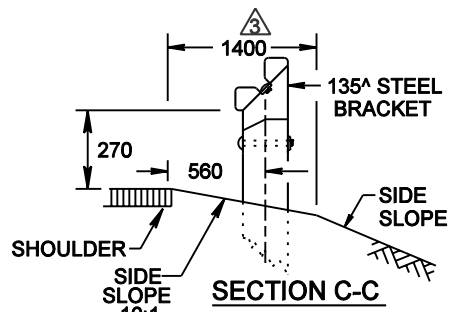
REFLECTOR IS WHITE DOUBLE SIDED SHEETING 108mm x 76mm (MINIMUM) WHICH SHALL MEET ASTM D4956, TYPE VIII OR TYPE IX BRIGHTNESS REQUIREMENTS. THE CONTRACTOR SHALL SELECT THE REFLECTOR FROM THE ALBERTA INFRASTRUCTURE AND TRANSPORTATION PRODUCTS LIST. REFLECTOR TO BE INSTALLED ON EVERY 3rd POST ON STRAIGHT SECTIONS AFTER SECTION A-A.



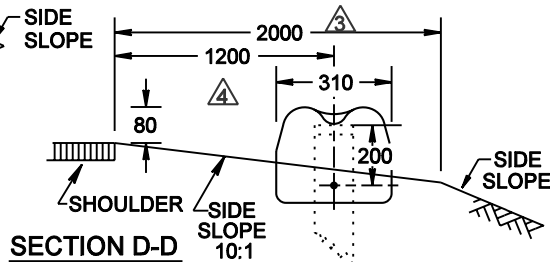
SECTION A-A



SECTION B-B



SECTION C-C



SECTION D-D

NOTES

1. ALL DIMENSIONS ARE IN MILLIMETRES UNLESS OTHERWISE SPECIFIED.
2. ALL JOINTS TO BE LAPPED IN THE DIRECTION OF TRAFFIC.
3. TURNED DOWN TERMINALS ARE TO BE USED AT BOTH ENDS OF GUARDRAIL INSTALLATIONS ON 2 LANE UNDIVIDED HIGHWAYS.
4. THE ACCEPTABLE DESIGN RANGE FOR HEIGHT OF GUARDRAIL IS +/- 75mm (TO BE SET BY THE CONSULTANT).
5. THE ACCEPTABLE TOLERANCE FOR HEIGHT OF GUARDRAIL AT TIME OF CONSTRUCTION OR MAINTENANCE IS SHOWN IN THE APPLICABLE SPECIFICATIONS.

5	REFLECTOR NOTE REVISED	BK	5 JUN 07
4	DIMENSION	BK	12/07/05
3	NOTES AND DIMENSIONS	BK	12/04
2	REVISED NOTE	RD	8/03
1	ADDED NOTE No. 4	TDN	10/98
No.	REVISIONS	BY	DATE

Approved:

Executive Director,
Technical Standards Branch

Date: December, 1992



**W - BEAM GUARDRAIL
WEAK POST END TREATMENT
TURN DOWN
(3.8m SPACING - NO BLOCK)**

Prepared By: T.S.	Checked By: B.K.	Scale: N.T.S.	Dwg No.: TEB 3.12
-------------------	------------------	---------------	-------------------