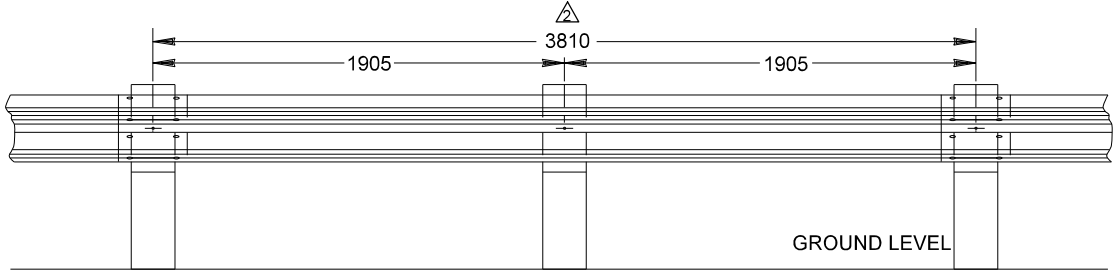
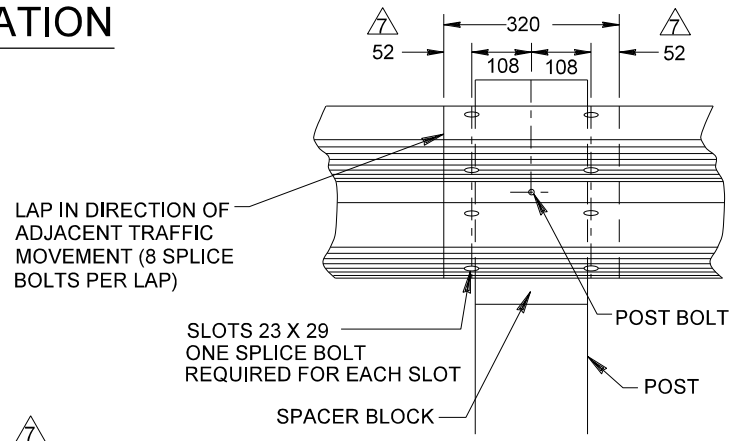


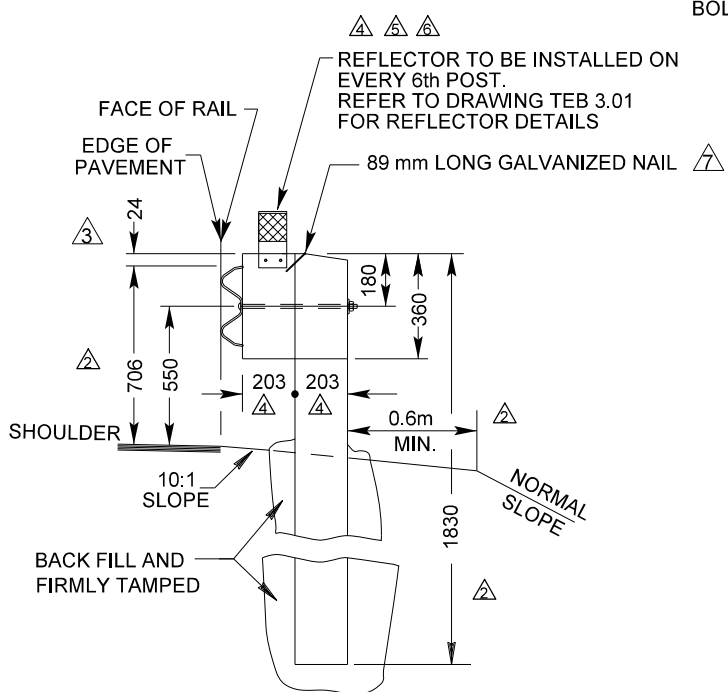
PLAN



ELEVATION



RAIL SPLICE DETAIL



POST AND SPACER DETAILS

NOTE:

1. THE STANDARD POST LENGTH FOR STRONG POST SYSTEM IS 1830mm (6'0"). OTHER POST LENGTHS MAY BE USED IF DIRECTED BY THE ENGINEER.
2. REFER TO DRAWING TEB 3.01 FOR SPACER BLOCK AND POST DETAILS
3. 89 mm LONG GALVANIZED NAIL TO PREVENT BLOCK ROTATION

All dimensions are in millimetres unless otherwise indicated.

| No. | REVISIONS | BY | DATE |
|-----|--|----|-------------|
| 7 | Dimensions, revised. Galvanized nail and notes 2 and 3 added | HC | 11 MAR 2016 |
| 6 | Reflector Note Revised | PM | 8 JUL 09 |
| 5 | Reflector Note Revised (Include Type IX) | BK | 03/23/07 |
| 4 | Reflector Note and Added Post Dimensions | BK | 08/11/06 |
| 3 | Dimensions and Reflector Detail | BK | 12/07/05 |
| 2 | Notes and Dimensions | BK | 12-04 |
| 1 | | | 06-95 |

| | |
|---|--|
| <p>Approved: Original signed by A.D. Cherwenuk</p> <p>Executive Director, Technical Standards Branch</p> <p>Date: DECEMBER 11, 1992</p> | |
|---|--|

**STRONG POST W-BEAM
BLOCKED-OUT GUARDRAIL**

| | | | |
|------------------|-----------------|---------------|--------------------------|
| Prepared By: M.T | Checked By: B.K | Scale: N.T.S. | Dwg No.: TEB 3.09 |
|------------------|-----------------|---------------|--------------------------|