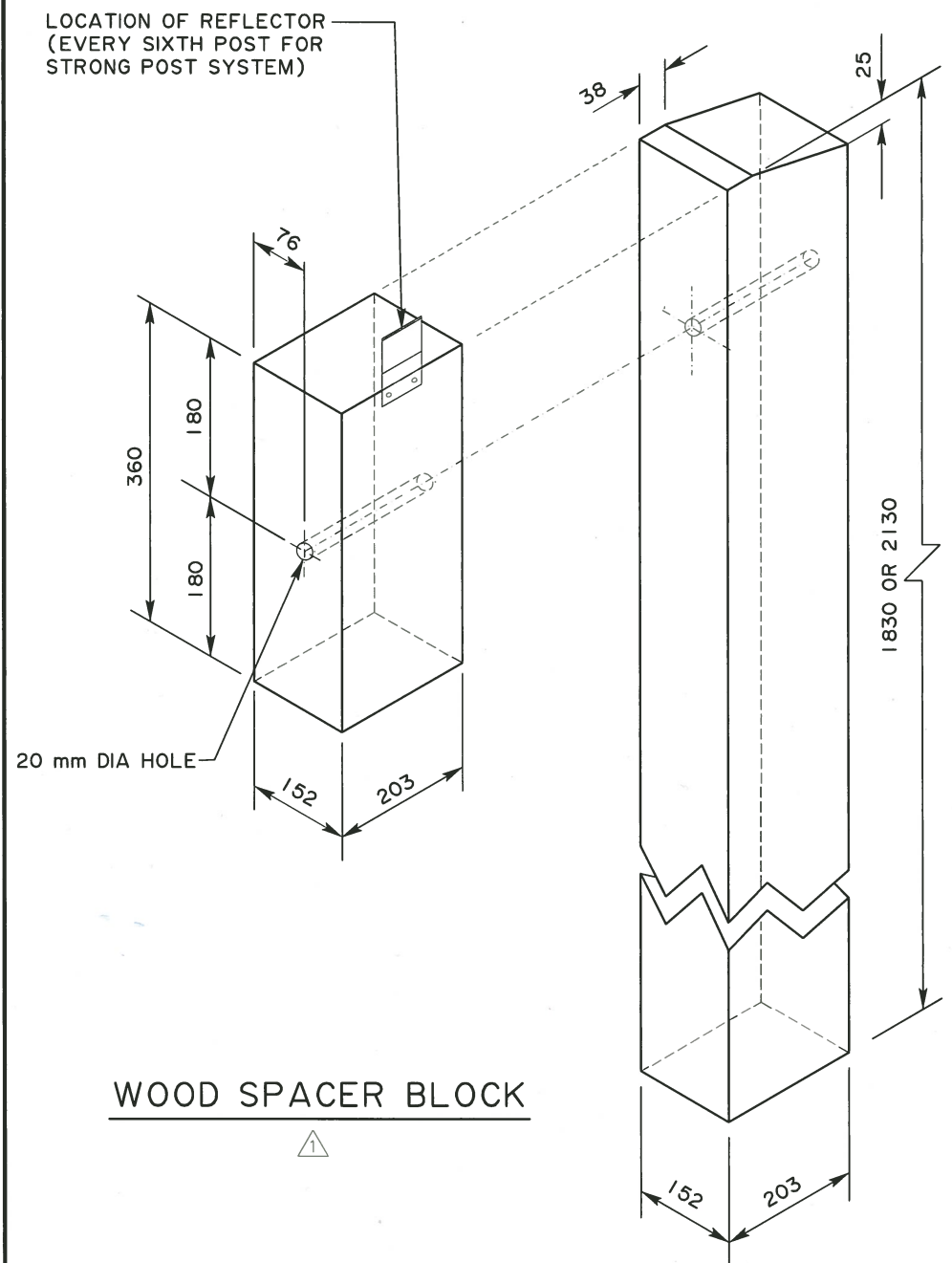


NOTES:

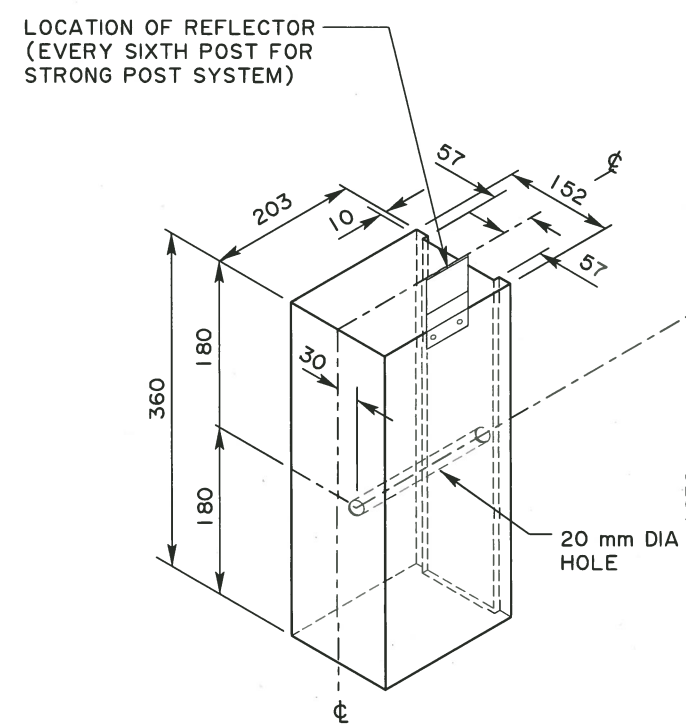
- REFLECTOR COLOUR IS EITHER FLUORESCENT YELLOW OR WHITE SUCH THAT IT COMPLIES WITH THE PRINCIPLES FOR PAVEMENT EDGE LINES WITH RESPECT TO THEIR COLOUR.
- REFLECTOR IS DOUBLE SIDED SHEETING 102mm x 76mm (MINIMUM) WHICH SHALL MEET ASTM D4956, TYPE IX OR XI FOR LUMINANCE LEVEL. THE CONTRACTOR SHALL SELECT THE REFLECTOR FROM THE ALBERTA TRANSPORTATION PRODUCTS LIST.
- PLASTIC POST AND/OR SPACER BLOCK MAY BE USED. FOR PLASTIC POST REFER TO ALBERTA TRANSPORTATION PRODUCT LIST FOR ACCEPTED PROPRIETARY PLASTIC POST. ALSO REFER TO MANUFACTURER FOR THE LATEST DRAWINGS AND SPECIFICATIONS.
- STEEL POST W150x12.6 IS AN ACCEPTABLE ALTERNATIVE THAT IS CONSIDERED EQUIVALENT TO THE W150x13.5
- TOENAIL WITH ONE 89 mm LONG GALVANIZED NAIL TO PREVENT BLOCK ROTATION OF WOODEN SPACER BLOCK.
- THE OPTIONAL HOLES IN THE FLANGE ARE ACCEPTABLE FOR USE ON ROADSIDE AND MEDIAN APPLICATIONS BUT REQUIRED FOR MEDIAN APPLICATIONS WHERE RAILS ARE INSTALLED ON BOTH SIDES.



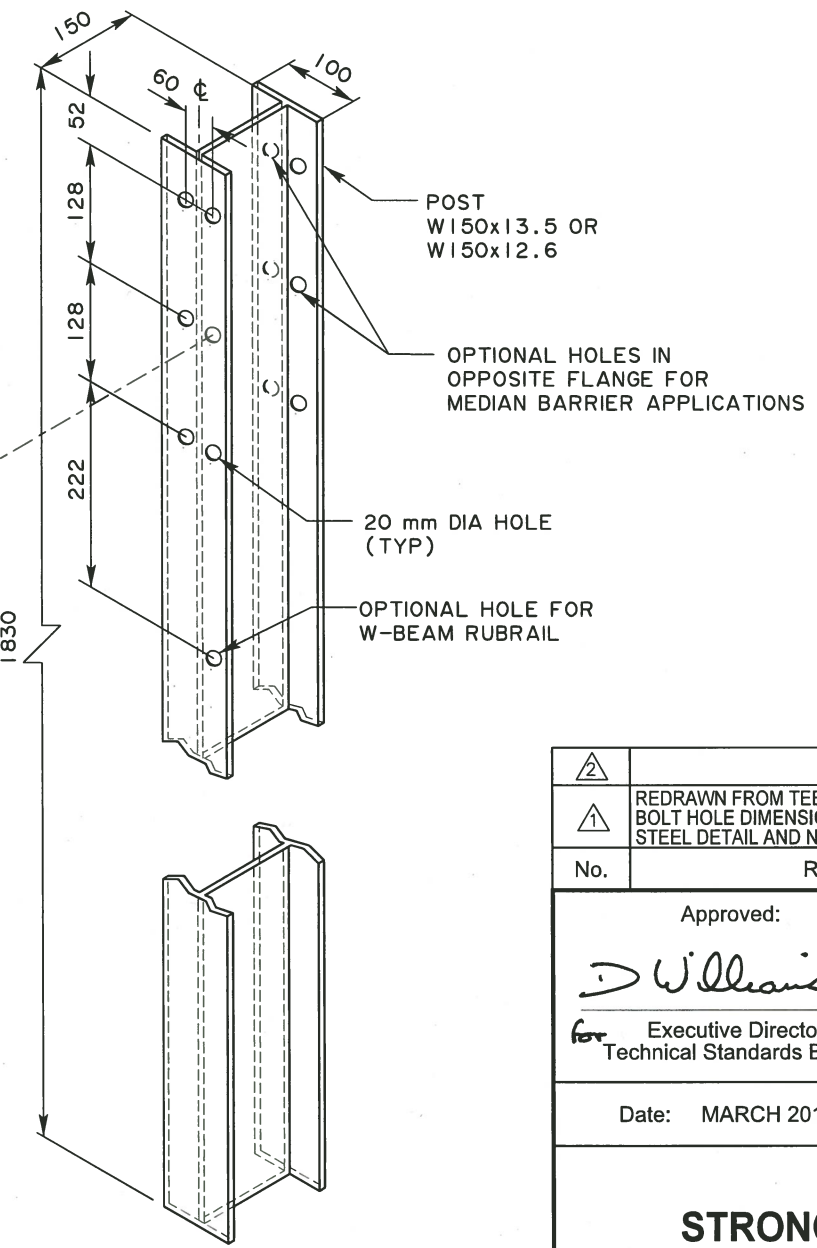
WOOD SPACER BLOCK

WOOD POST DETAIL

1830 (6'0") or 2130 (7'0")



ROUTED WOODEN SPACER BLOCK



STEEL POST DETAIL

	REDRAWN FROM TEB 3.01, JULY 2009, REVISION 3. BOLT HOLE DIMENSION AND NOTE 2 REVISED. STEEL DETAIL AND NOTES 3 - 6 ADDED	PM	11 MAR 2016
No.	REVISIONS	BY	DATE

Approved:

 Executive Director,
 Technical Standards Branch



Date: MARCH 2016

**STRONG POST W - BEAM
 GUARDRAIL HARDWARE
 WOOD SPACER BLOCK AND POST**

Prepared By: GEC	Checked By: PM	Scale: N.T.S.	TEB 3.01
------------------	----------------	---------------	----------

ALL DIMENSIONS ARE IN MILLIMETRES UNLESS OTHERWISE INDICATED