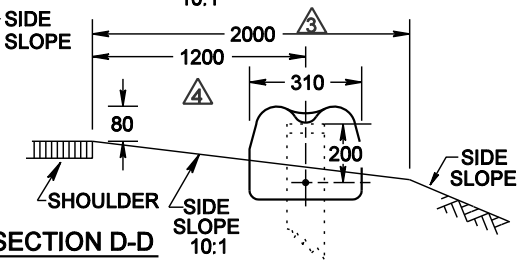
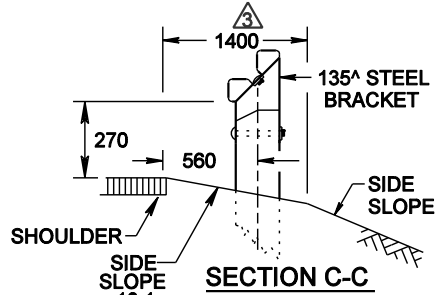
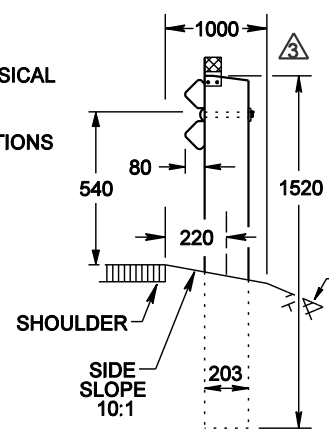
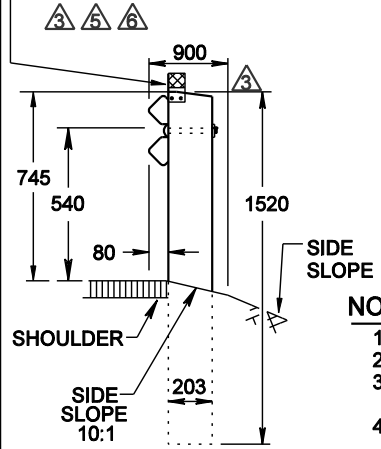


1 SEPT. 2011. TURN DOWN ENDS WILL NO LONGER BE ACCEPTABLE FOR NEW INSTALLATIONS OR REPLACEMENT OF EXISTING ENDS. CRASH WORTHY END TREATMENTS SHALL BE USED.

20 NOV. 2012. WHERE EXISTING TURN DOWN END TREATMENTS NEED TO BE RE-BUILT AND/OR REPLACED DUE TO BEING HIT BY AN ERRANT VEHICLE, THE REPLACEMENT WITH A CRASHWORTHY END TREATMENT IS SUBJECT TO FUNDING AVAILABILITY.

6	REFLECTOR NOTE REVISED	PM	8 JUL 09
5	REFLECTOR NOTE REVISED	BK	5 JUN 07
4	DIMENSION	BK	12/07/05
3	NOTES AND DIMENSIONS	BK	12/04
2	REVISED NOTE	RD	8/03
1	ADDED NOTE No. 4	TDN	10/98
No.	REVISIONS	BY	DATE

* LENGTH OF STANDARD STRAIGHT GUARDRAIL IS DETERMINED BY PHYSICAL NEED. STANDARD SPACING IS 3810. REFLECTOR TO BE INSTALLED ON EVERY 3rd POST ON STRAIGHT SECTIONS AFTER SECTION A-A. REFER TO DRAWING TEB 3.01 FOR REFLECTOR DETAILS



NOTES

1. ALL DIMENSIONS ARE IN MILLIMETRES UNLESS OTHERWISE SPECIFIED.
2. ALL JOINTS TO BE LAPPED IN THE DIRECTION OF TRAFFIC.
3. TURNED DOWN TERMINALS ARE TO BE USED AT BOTH ENDS OF GUARDRAIL INSTALLATIONS ON 2 LANE UNDIVIDED HIGHWAYS.
4. THE ACCEPTABLE DESIGN RANGE FOR HEIGHT OF GUARDRAIL IS +/- 75mm (TO BE SET BY THE CONSULTANT).
5. THE ACCEPTABLE TOLERANCE FOR HEIGHT OF GUARDRAIL AT TIME OF CONSTRUCTION OR MAINTENANCE IS SHOWN IN THE APPLICABLE SPECIFICATIONS.

Approved: _____

Executive Director,
Technical Standards Branch

Date: December, 1992

Alberta
Transportation

**W-BEAM GUARDRAIL
WEAK POST END TREATMENT
TURN DOWN
(3.8m SPACING - NO BLOCK)**

OBSOLETE
13 SEPTEMBER 2011
20 NOVEMBER 2012

Prepared By: T.S.	Checked By: B.K.	Scale: N.T.S.	Dwg No.: TEB 3.12
-------------------	------------------	---------------	-------------------