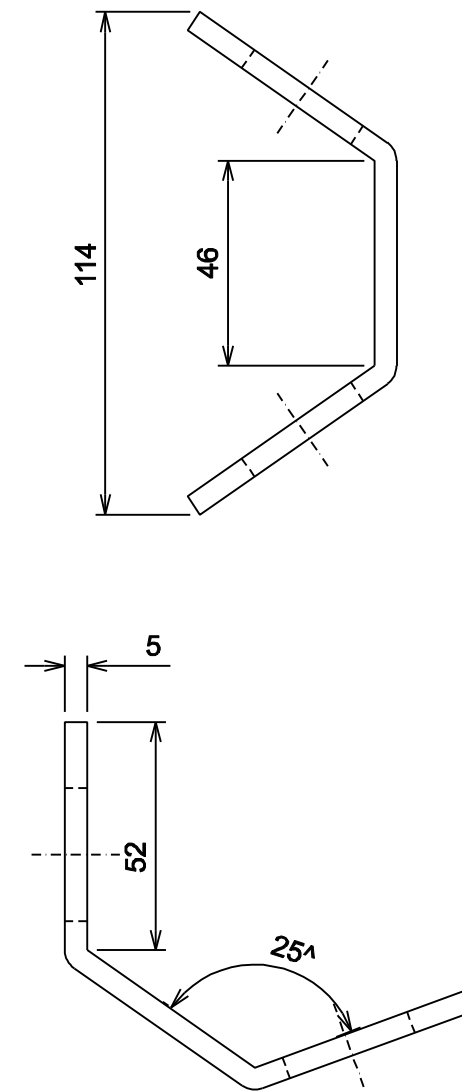


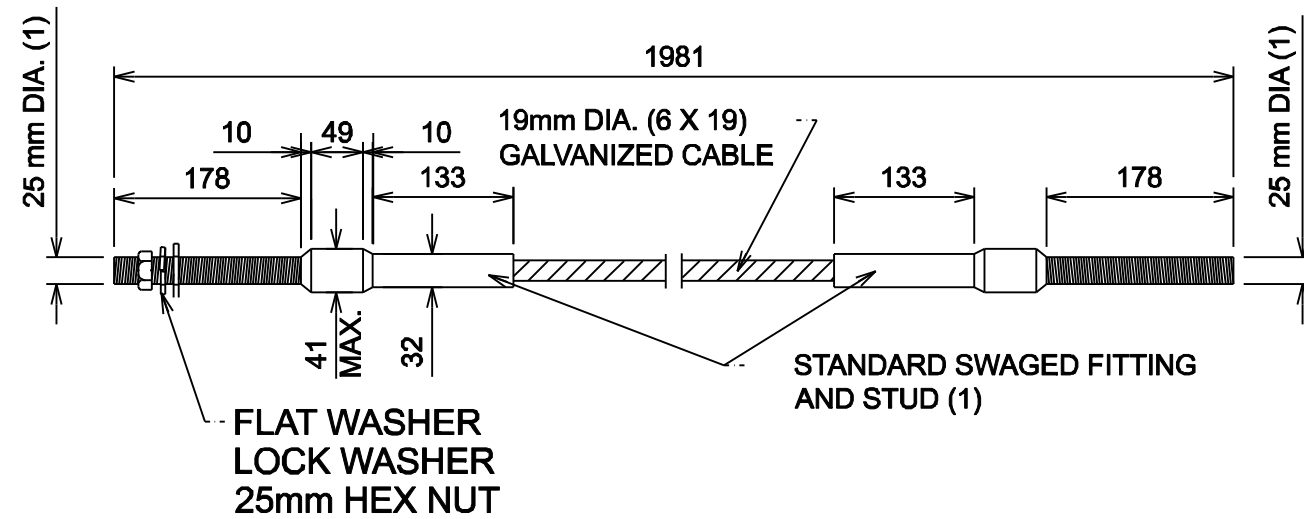
STEEL PLATE, A306
320 mm x 150 mm x 5 mm



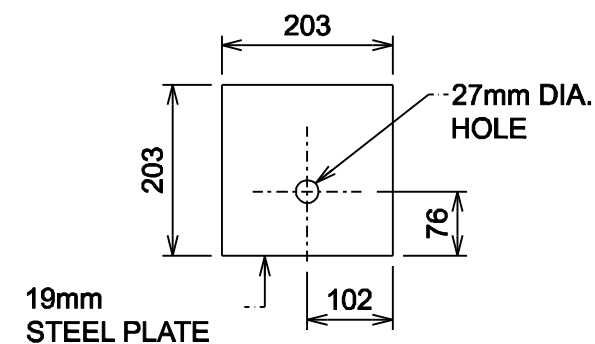
NOTE:

ALL DIMENSIONS SHOWN ARE IN MILLIMETRES
 UNLESS OTHERWISE NOTED.

(1) STUD, THREADED ENTIRE LENGTH.



DETAIL OF CABLE ASSEMBLY



**DETAIL OF
 STEEL BEARING PLATE**

△			
△	TITLE REVISED	B.K.	18 JUN 07
No.	REVISIONS	BY	DATE

Approved: Original signed by Allan Kwan Executive Director, Technical Standards Branch Date: JUNE 24, 2005 Effective Date: JULY 12, 2005	
--	--

**BULLNOSE GUARDRAIL SYSTEM
 PLATES AND CABLE ASSEMBLY**
 SHEET 8 of 9 △

Prepared By: M.T	Checked By: B.K	Scale: N.T.S.	Dwg No.: TEB 3.60-8
---------------------	--------------------	------------------	------------------------