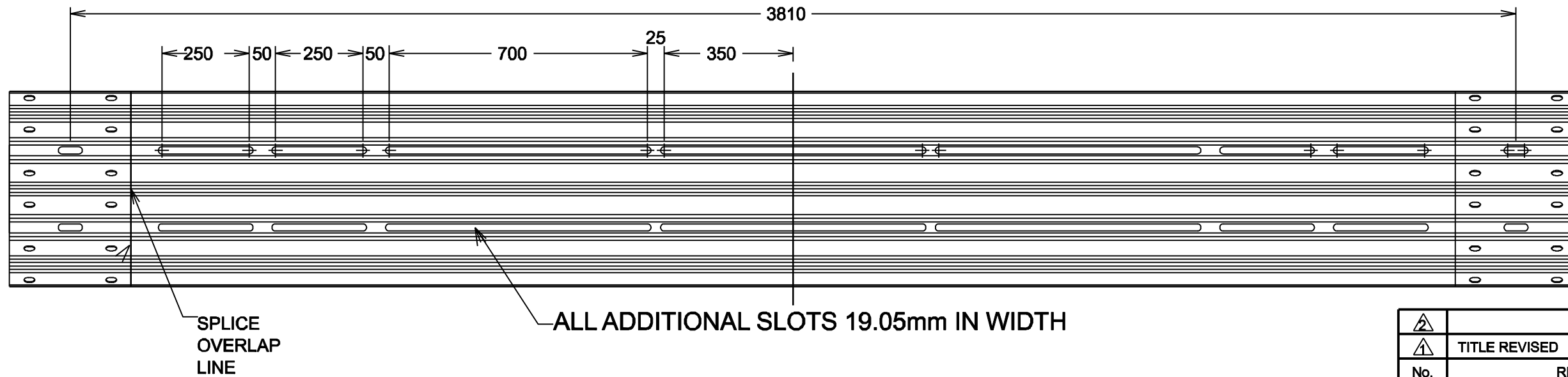


RAIL SECTION 1 ("NOSE" SECTION)



RAIL SECTION 1 ("NOSE" SECTION)

NOTE:

ALL DIMENSIONS SHOWN ARE IN MILLIMETRES UNLESS OTHERWISE NOTED.

△			
△	TITLE REVISED	B.K.	18 JUN 07
No.	REVISIONS	BY	DATE

Approved: Original signed by Allan Kwan Executive Director, Technical Standards Branch Date: JUNE 24, 2005 Effective Date: JULY 12, 2005	
--	--

BULLNOSE GUARDRAIL SYSTEM
RAIL SECTION 1
SHEET 5 of 9 △

Prepared By: M.T	Checked By: B.K	Scale: N.T.S.	Dwg No.: TEB 3.60-5
------------------	-----------------	---------------	---------------------