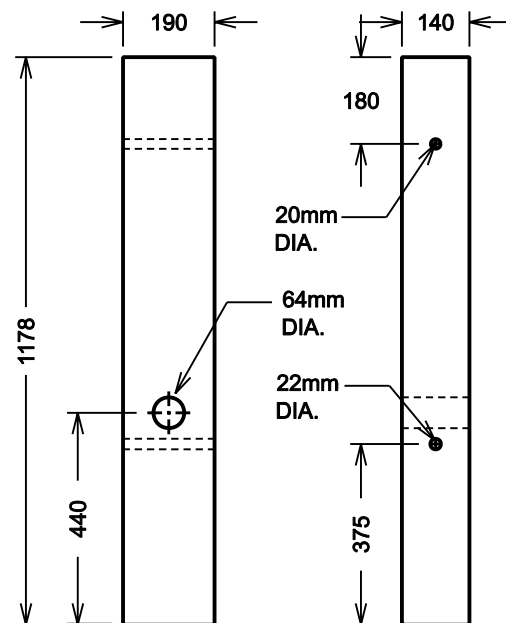
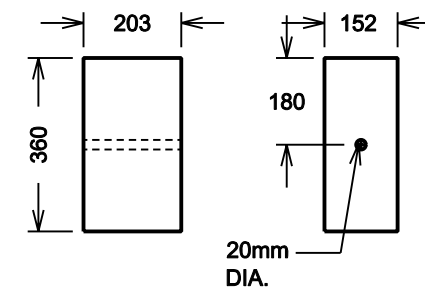


THRIE BEAM CRT* POSTS

* CRT DENOTES CONTROLLED RELEASE TERMINAL \triangle



THRIE BEAM ANCHOR POSTS



**POSTS 3 THROUGH 12
STANDARD BLOCKS**



NOTES:

CRT, ANCHOR AND BLOCK POSTS ARE WOOD.

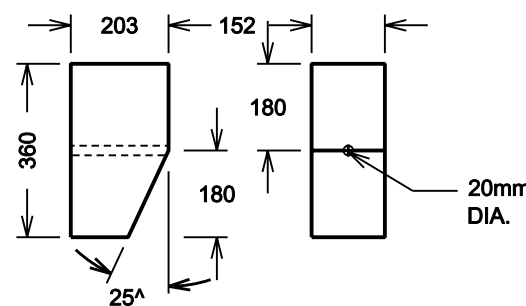
ALL DIMENSIONS SHOWN ARE IN MILLIMETRES UNLESS OTHERWISE NOTED.

\triangle			
\triangle	BLOCK DETAILS AND TITLE REVISED AND CRT NOTE ADDED	B.K.	18 JUN 07
No.	REVISIONS	BY	DATE

Approved: Original signed by Allan Kwan Executive Director, Technical Standards Branch Date: JUNE 24, 2005 Effective Date: JULY 12, 2005	
--	--

**BULLNOSE GUARDRAIL SYSTEM
POSTS & BLOCKS
SHEET 4 of 9 \triangle**

Prepared By: M.T	Checked By: B.K	Scale: N.T.S.	Dwg No.: TEB 3.60-4
------------------	-----------------	---------------	---------------------



TAPERED BLOCKS FOR POSTS

2 - 8

