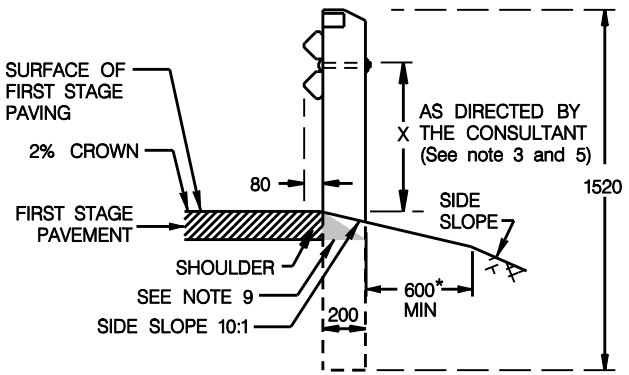


SECTION A-A ⚠

STANDARD GUARDRAIL INSTALLATION
(W-beam, no blocks).

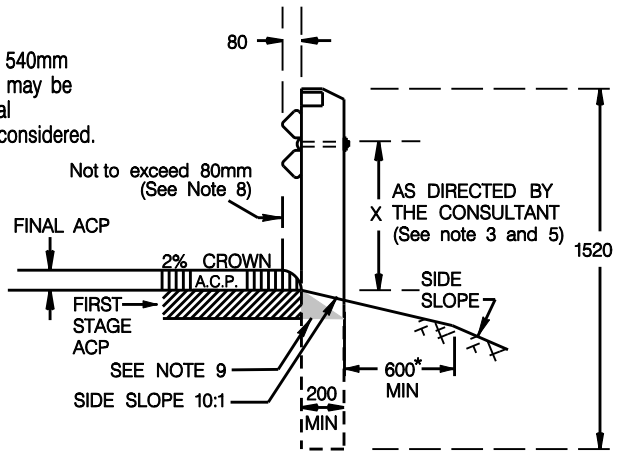


SECTION B-B ⚠

STAGE 1: FIRST STAGE PAVING

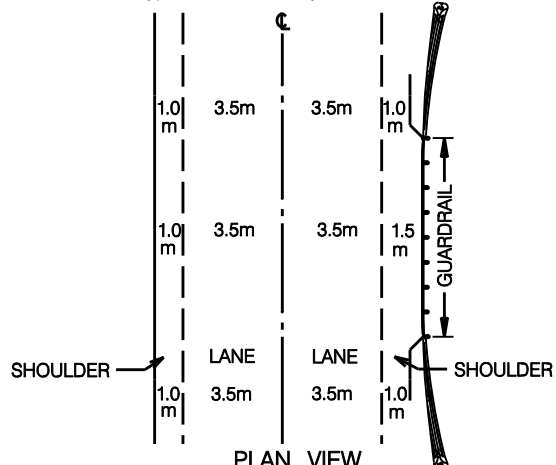
NOTES: ⚠

- Sections B-B and C-C show the special installation of guardrail that is suggested on projects where final paving is anticipated within 10 years.
 - The standard height of guardrail from the road surface to the centre bolt is 540mm (Section A-A). The acceptable design range for height of guardrail installation is from 465mm to 615mm i.e. ± 75 mm
 - The guardrail elevation 'x' is to be set by the consultant. An elevation between 540mm and 615mm is normally chosen for First Stage Paving projects. The elevation may be selected based on an estimate of the Final Pavement thickness. Where the final pavement thickness is not known, the highest permissible elevation should be considered.
 - The acceptable tolerance for height of guardrail at time of construction or maintenance is shown in the applicable specification.
 - By installing guardrail at the highest permissible elevation (Section B-B), the final pavement can be placed without the guardrail being removed or adjusted (Section C-C).
 - All dimensions are in millimetres unless otherwise noted.
 - Drawing is not to scale.
 - Pavement drop-off line must not be more than 80mm from the guardrail post line. This is to prevent snagging.
 - Installation of guardrail system normally requires post to be installed through ACP and GBC layers.
- * The 600mm dimension may be exceeded if required by the consultant based on barrier type, hazard severity, embankment characteristics, etc.



SECTION C-C ⚠

STAGE 2: FINAL PAVING ON FIRST STAGE PAVING JOB



EXAMPLE SHOWING GUARDRAIL INSTALLATION
ON A TYPICAL RAU-209 ROADWAY AT STAGE 2

⚠			
⚠	Notes and Sections	P.M.	8 JUL 09
No.	REVISIONS	BY	DATE
Approved: Original approved by Alberta Transportation and Utilities Traffic Operations Branch ----- Executive Director, Technical Standards Branch Date: JUNE 24, 2005 Effective Date: JULY 12, 2005			
<p>WEAK POST W-BEAM INSTALLATION ON FIRST STAGE PAVING PROJECTS</p> <p style="color: red; font-size: 2em; opacity: 0.5; transform: rotate(-15deg);">SUPERSEDED</p>			
Prepared By: M.T	Checked By: B.K	Scale: N.T.S.	Dwg No.: TEB 3.56a