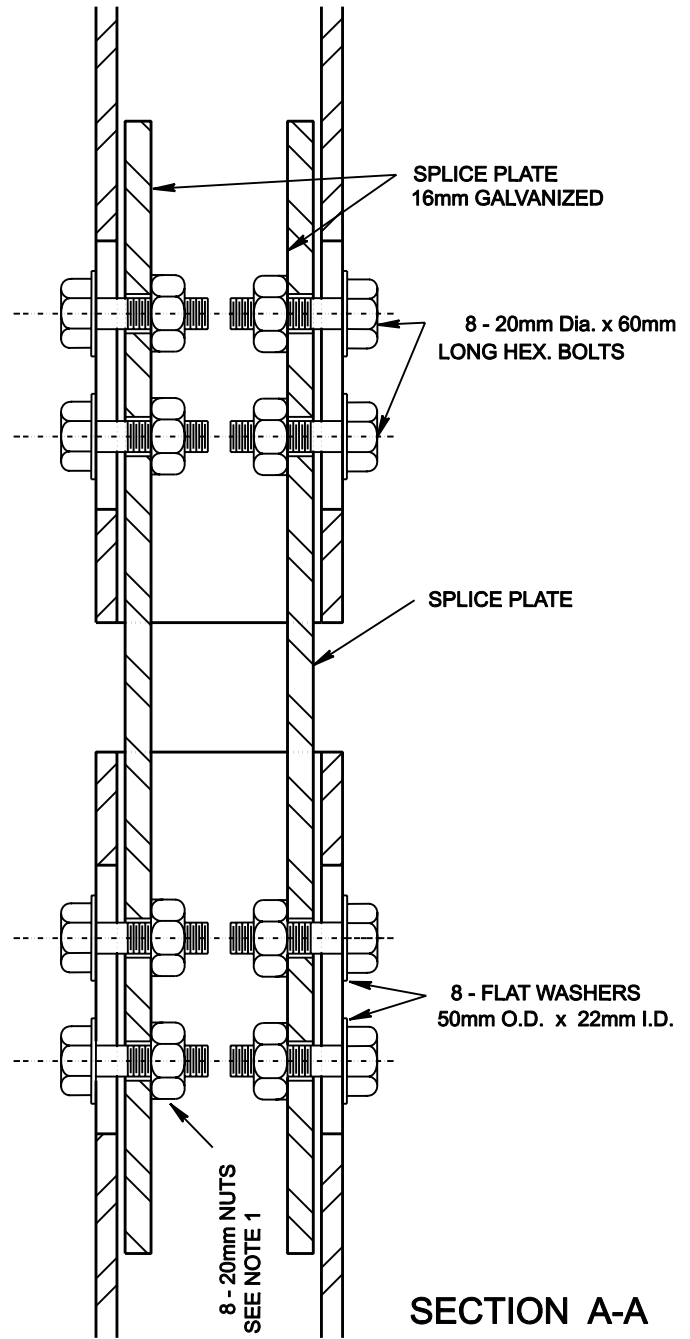


PLAN



SECTION A-A

Note 1: For details of nut attachment see TEB 3.28.
 Field cut slots 25mm x 166mm.
 Expansion joint shall be used at every tenth beam splice.
 Post spacing at expansion joint shall be 1.90m.
 All dimensions are in millimetres unless otherwise indicated.

	DWG. No.	TEB 3.40
	Date	DEC.11/92
	Revision	
	Revision	

**STANDARD BOX BEAM GUARDRAIL
 EXPANSION JOINT SPLICE DETAIL**