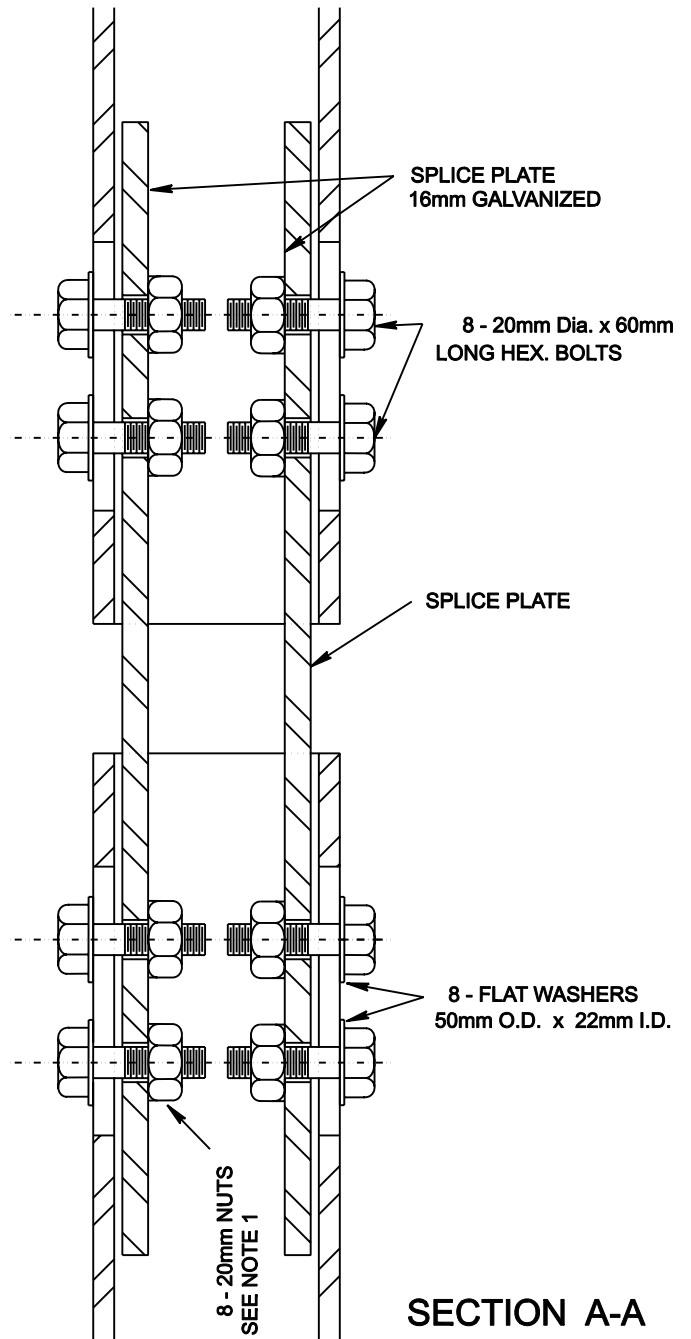


PLAN



SECTION A-A

Note 1: For details of nut attachment see TEB 3.28A
 Field cut slots 25mm x 166mm
 Expansion joint shall be used at every tenth beam splice.
 Post spacing at expansion joint shall be 1.90m.
 All dimensions are in millimetres unless otherwise indicated.

	DWG. No.	TEB 3.30
	Date	DEC.11/92
	Revision	
	Revision	

**MEDIAN BOX BEAM GUARDRAIL
 EXPANSION JOINT SPLICE DETAIL**