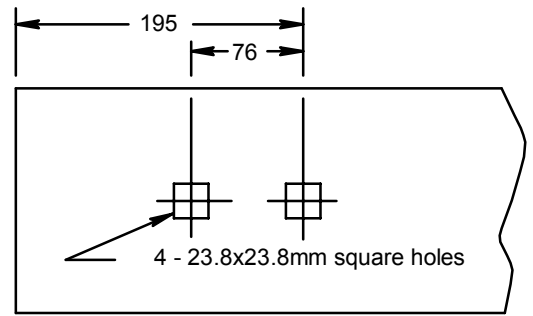
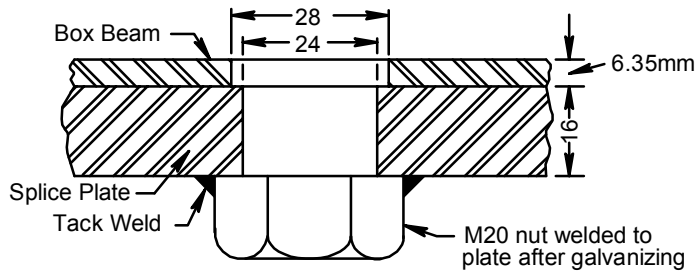


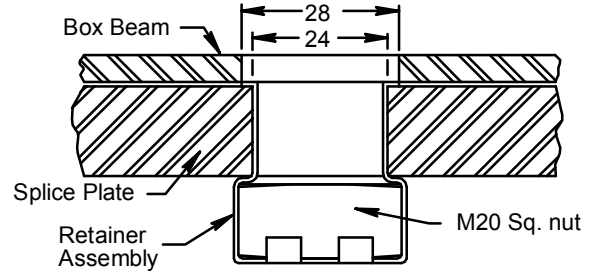
**SPLICE PLATE
FOR TACK WELDING**



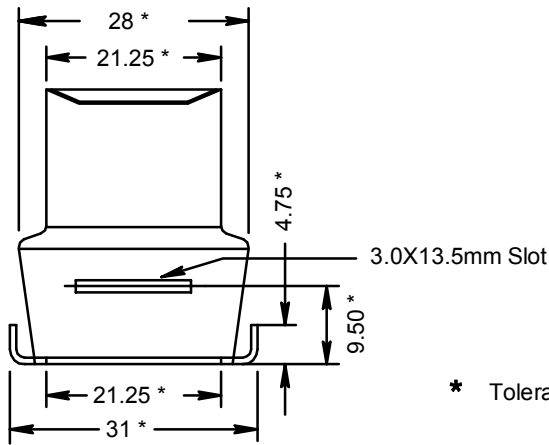
**SPLICE PLATE
FOR RETAINER ASSEMBLY**



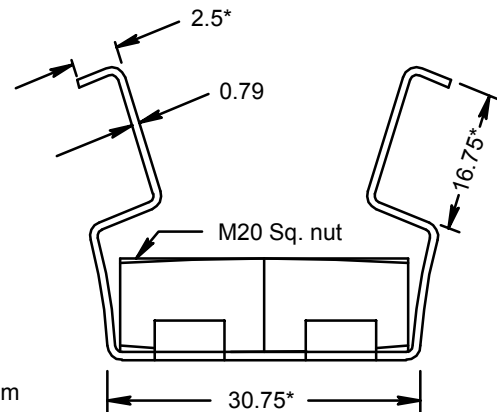
**NUT TACK WELDED
TO SPLICE PLATE**



**NUT CLIPPED
TO SPLICE PLATE**



FRONT VIEW



SIDE VIEW

* Tolerance $\pm 0.24\text{mm}$

RETAINER ASSEMBLY DETAIL

 Alberta TRANSPORTATION AND UTILITIES Traffic Operations Branch	DWG. No.	TEB 3.28
	Date	DEC 20/92
	Revision	_____
	Revision	_____

**STANDARD BOX BEAM GUARDRAIL
RETAINER ASSEMBLY AND
TRACK WELDING DETAILS**

A.D. Cherwenuk, Director