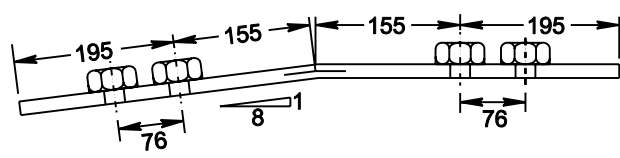
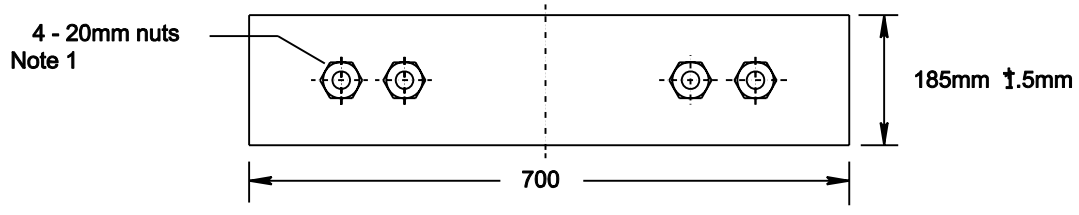
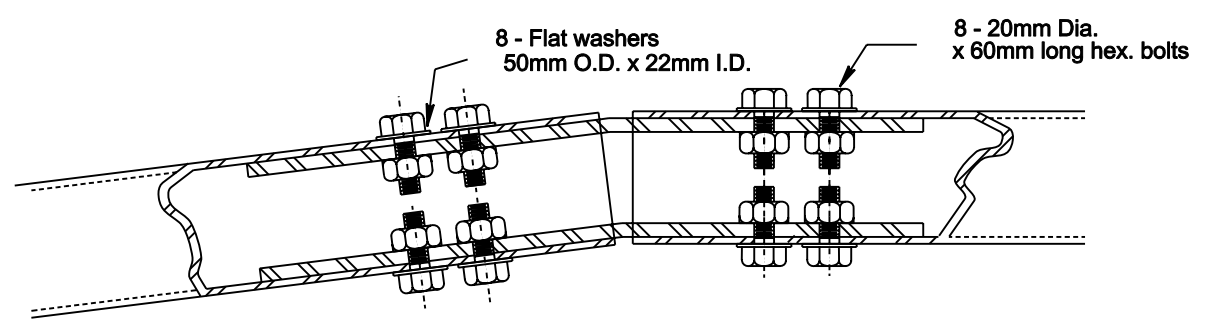


UPPER SPLICE PLATE
16mm galvanized steel plate



LOWER SPLICE PLATE
16mm galvanized steel plate



ASSEMBLY DETAIL

Note 1: For details of nut attachment see TEB 3.28A.
All dimensions are in millimetres unless otherwise shown.

<p>Alberta TRANSPORTATION AND UTILITIES Traffic Operations Branch</p>	DWG. No.	TEB 3.27A
	Date	DEC 13/92
	Revision	
	Revision	

**MEDIAN BOX BEAM GUARDRAIL
DETAIL OF SPLICE PLATE
USED AT END TREATMENT**