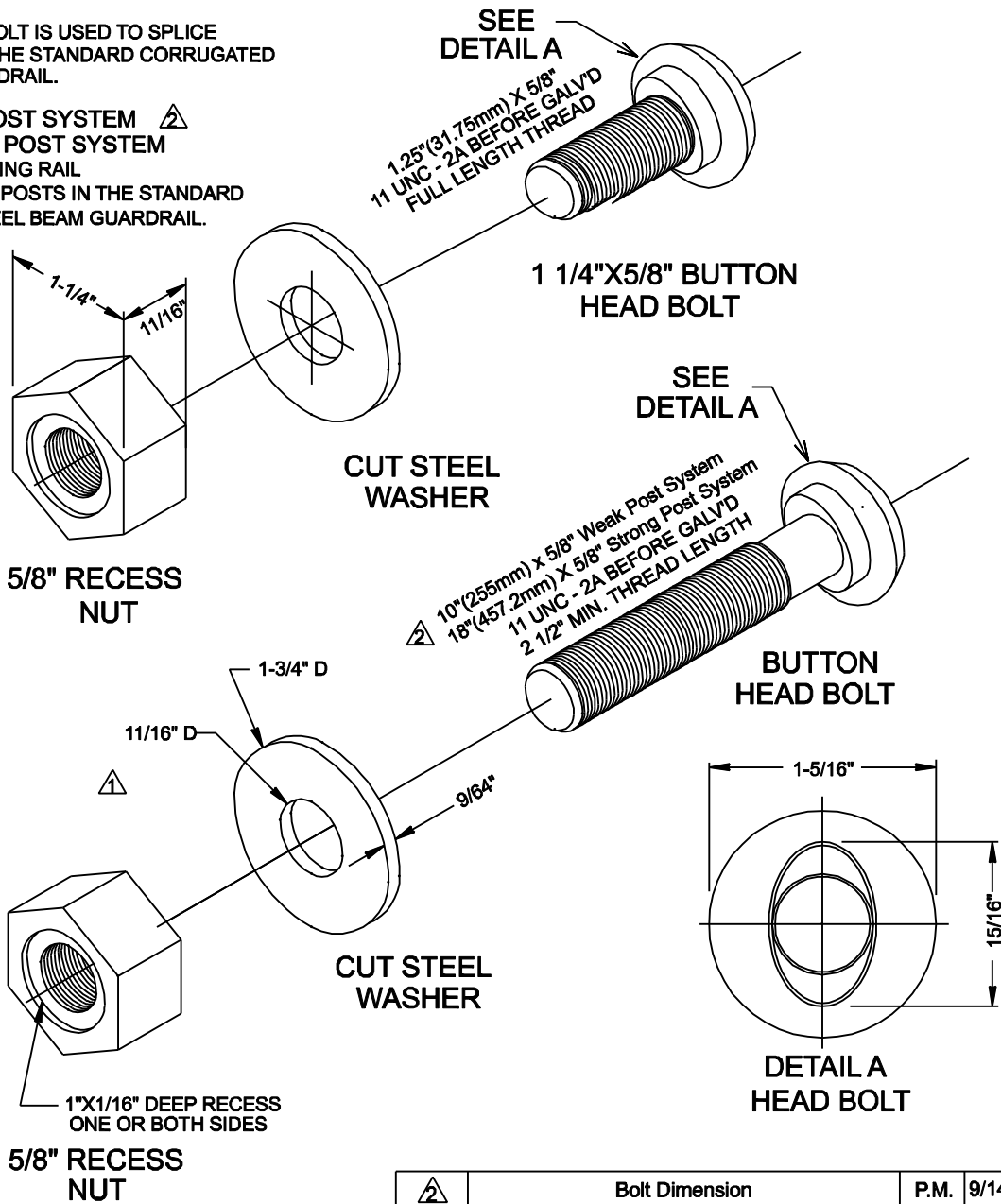


(1-1/4" LENGTH) THIS BOLT IS USED TO SPLICE RAIL ELEMENTS USED IN THE STANDARD CORRUGATED SHEET STEEL BEAM GUARDRAIL.

(10" LENGTH) WEAK POST SYSTEM \triangle
 (18" LENGTH) STRONG POST SYSTEM
 THIS BOLT IS FOR FASTENING RAIL TO WOOD OR CONCRETE POSTS IN THE STANDARD CORRUGATED SHEET STEEL BEAM GUARDRAIL.



\triangle	Bolt Dimension	P.M.	9/14/05
\triangle	Rectangular Washer Removed	B.K.	12/07/05
No.	REVISIONS	BY	DATE

Approved:
 Original approved by
 Traffic Operations Branch
 Alberta Transportation and Utilities

Executive Director,
 Technical Standards Branch



Date: DECEMBER 11, 1992

W - BEAM GUARDRAIL HARDWARE BOLT, NUT AND WASHER

BOLTS SHALL CONFORM TO THE REQUIREMENTS OF A.S.T.M A307 AND NUTS TO THE REQUIREMENT OF A.S.T.M A563, GRADE A OR BETTER, AND BE GALVANIZED IN ACCORDANCE WITH CSA G 164-M EXCEPT WHEN CORROSION RESISTANT STEEL IS REQUESTED IN WHICH CASE BOLTS AND NUTS SHALL BE MADE OF MATERIAL HAVING AN ATMOSPHERIC CORROSION RESISTANCE, APPROXIMATELY TWO TIMES THAT OF CARBON STRUCTURAL STEEL WITH COPPER AND SHALL NOT BE GALVANIZED.

All dimensions are in millimetres unless otherwise indicated.

Prepared By: M.T	Checked By: B.K	Scale: N.T.S.	Dwg No.: TEB 3.06
------------------	-----------------	---------------	-------------------