

SINGLE SLOPE MEDIAN BARRIER TRANSITION ISOMETRIC

BAR LIST: TRANSITION BARRIER								
MARK	SIZE	NO.	TYPE	X	Y	Z	LENGTH	MASS
1001	10	13	A	450	-	-	2060	21
1501C	15	24	B	LENGTH: X = 480 Y = 800 Z = VARIES FROM 210 TO 353 IN INCREMENTS OF 13			2 660 (AVG)	100
*1502C	15	13	STR	-	-	-	2 750	56
2501	25	8	STR	-	-	-	3 175	100
2502C	25	12	STR	-	-	-	1 000	47

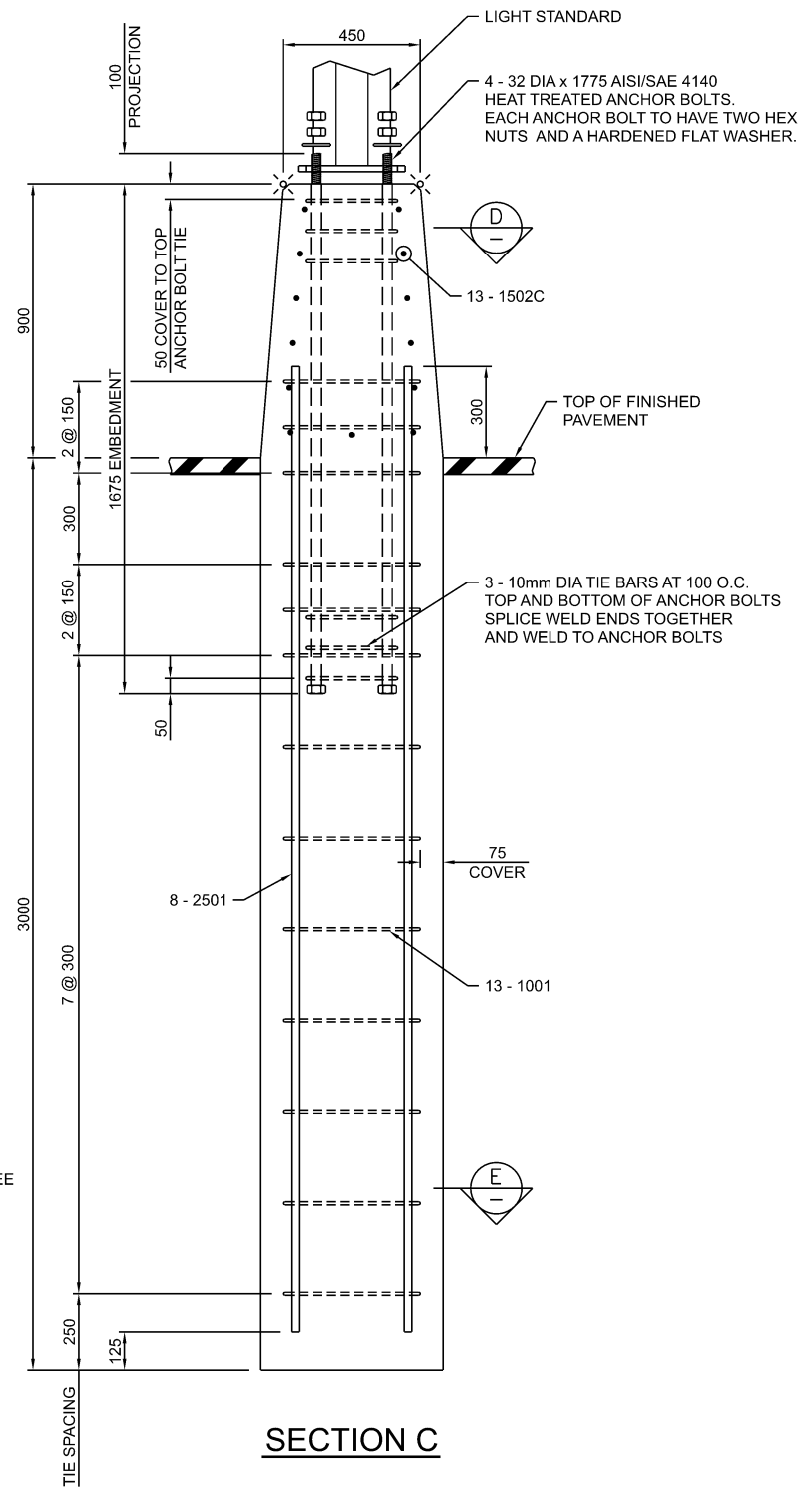
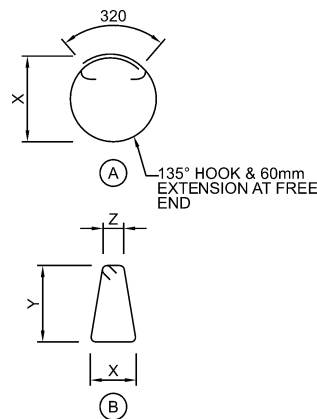
*FIELD BEND TO SUIT

PLAIN
EPOXY COATED

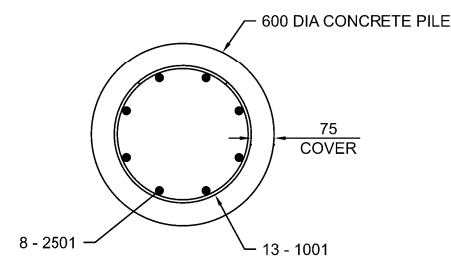
TOTAL kg = 118
TOTAL kg = 203
TOTAL kg = 320

BAR LIST NOTES:

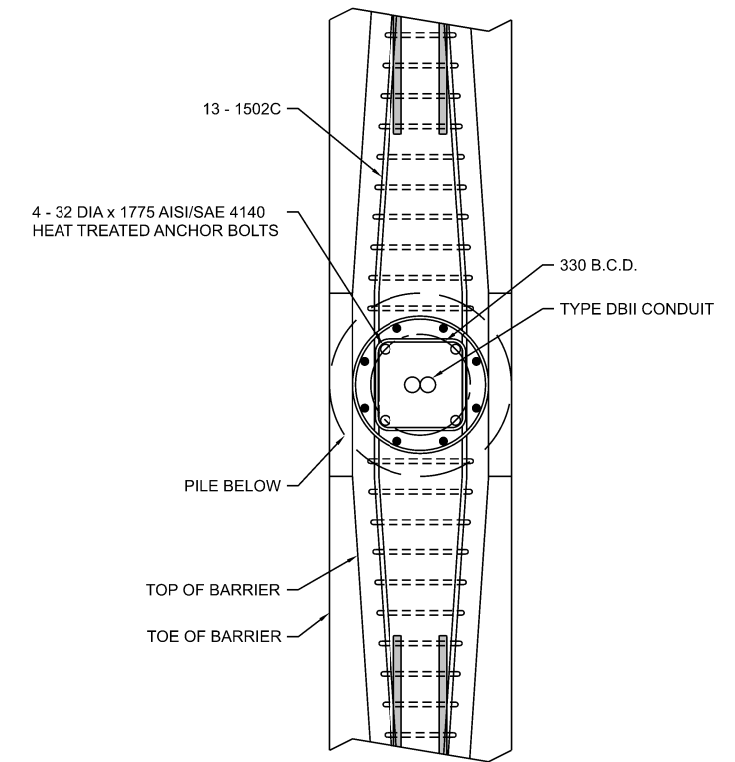
- DIAMETERS OF ALL BENDS AND DETAILS OF ALL HOOKS, UNLESS NOTED OTHERWISE, SHALL CONFORM TO THE RECOMMENDED SIZES DETAILED IN THE LATEST EDITION OF CAN/CSA - S6 (CSA 23.3)
- REINFORCING STEEL SHALL BE IN ACCORDANCE WITH CAN/CSA-G30. GRADE 400 (UNLESS OTHERWISE NOTED)
- ALL REINFORCING STEEL SHALL COFORM TO CAN/CSA-G30.18, GRADE 400 (UNLESS NOTED OTHERWISE)
- "C" DENOTES EPOXY COATED REINFORCEMENT.



SECTION C



SECTION E



SECTION D

No.	REVISIONS	BY	DATE

Approved:	
Allan Kwan Executive Director, Technical Standards Branch	
Date: NOVEMBER, 2007	

**TL-4 SINGLE SLOPE
CONCRETE BARRIER TRANSITION
AT MEDIAN LIGHT STANDARD
SHEET 2 OF 2**

Prepared By: NVS	Checked By: WS	Scale: N.T.S.	Dwg No.: RDG - B7.3
---------------------	-------------------	------------------	-------------------------------

ALL DIMENSIONS ARE IN MILLIMETRES UNLESS OTHERWISE INDICATED.