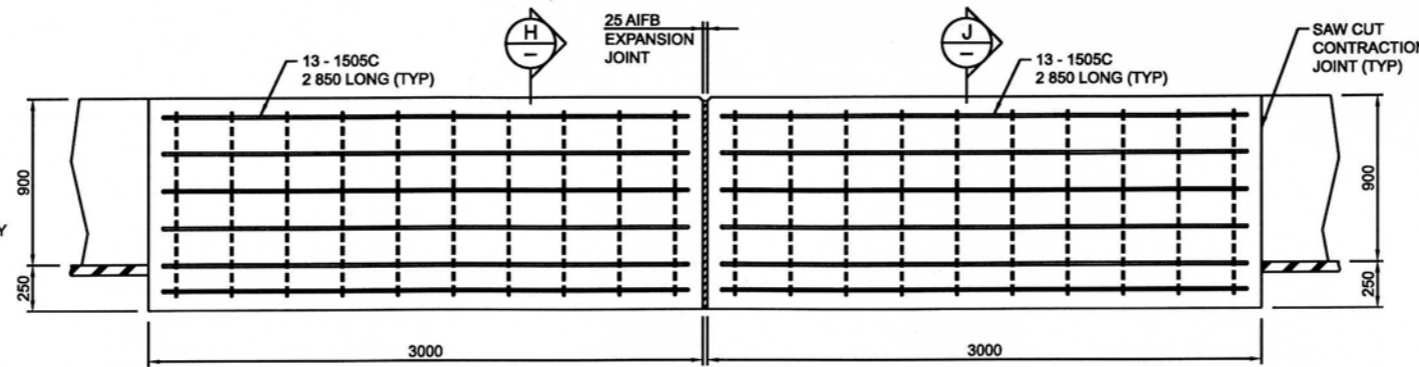
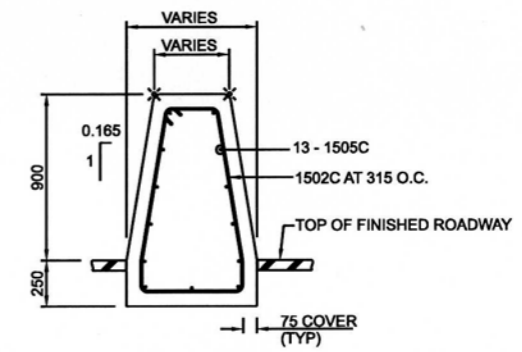


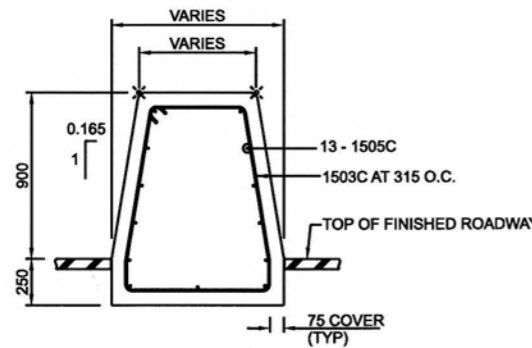
SECTION H



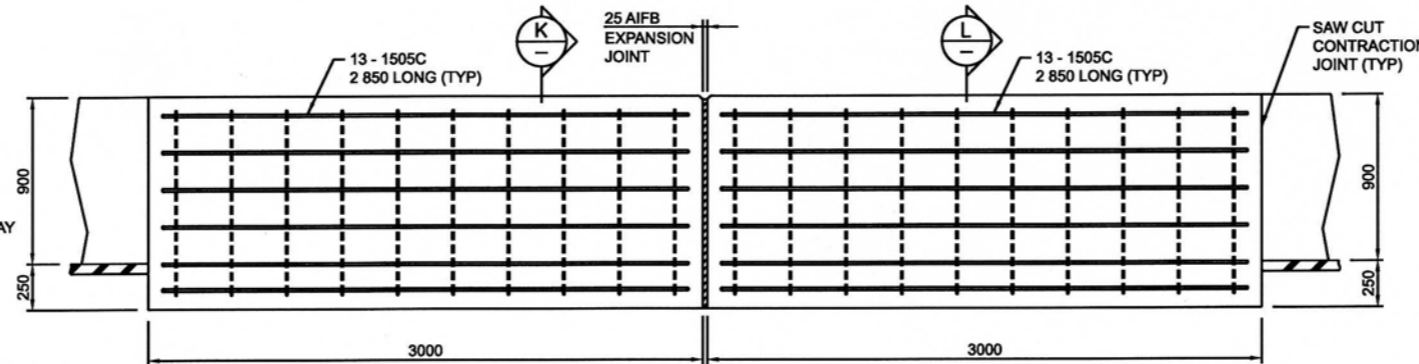
DETAIL 2



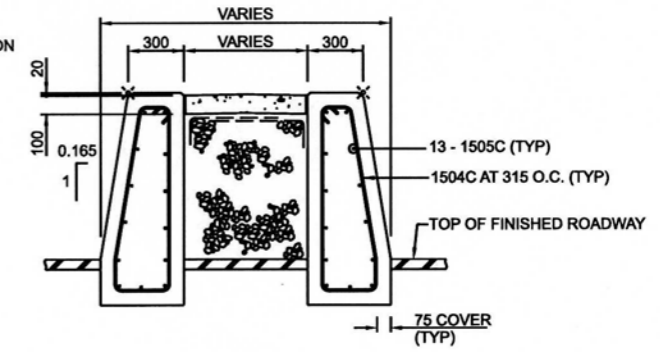
SECTION J



SECTION K



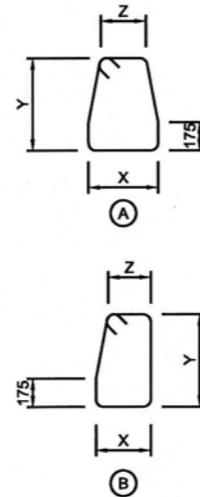
DETAIL 3



SECTION L

BAR LIST: BARRIER								
MARK	SIZE	NO.	TYPE	X	Y	Z	LENGTH	MASS
1501C	15	10	A	450	1 000	178	2 930	46
1502C	15	10	A	LENGTH: X = VARIES FROM 450 TO (450 + 5700/f) IN INCREMENTS OF 633/f Y = 1 000 Z = VARIES FROM 178 TO (178 + 5700/f) IN INCREMENTS OF 633/f		2 930 + 5 700/f	46.00 + 89.49/f	
1503C	15	10	A	LENGTH: X = VARIES FROM (1188 - 5700/f) TO 1188 IN INCREMENTS OF 633/f Y = 1 000 Z = VARIES FROM (763 - 5700/f) TO 763 IN INCREMENTS OF 633/f		4 253 - 5 700/f	66.77 - 89.49/f	
1504C	15	20	B	LENGTH: X = VARIES FROM 164 TO (164 + 2850/f) IN INCREMENTS OF 633/f Y = 1 000 Z = VARIES FROM 314 TO (314 + 2850/f) IN INCREMENTS OF 633/f		2 489 + 2 850/f	39.10 + 44.75/f	
1505C	15	65	STR				2 850	291

EPOXY COATED TOTAL kg = 443 + 44.8/f



BAR LIST NOTES:

- DIAMETERS OF ALL BENDS AND DETAILS OF ALL HOOKS, UNLESS NOTED OTHERWISE, SHALL CONFORM TO THE RECOMMENDED SIZES DETAILED IN THE REINFORCING STEEL MANUAL OF STANDARD PRACTICE, FIRST CANADIAN EDITION 1992, PUBLISHED BY THE REINFORCING INSTITUTE OF CANADA.
- REINFORCING STEEL SHALL BE IN ACCORDANCE WITH CAN/CSA-G30.18M92 "BILLET STEEL BARS FOR CONCRETE REINFORCEMENT".
- ALL REINFORCING STEEL SHALL BE GRADE 400 UNLESS NOTED OTHERWISE.
- "C" DENOTES EPOXY COATED REINFORCEMENT.
- THE FLARE RATE VALUE "f" IS DEFINED IN TABLE A ON RDG-B6.3 AND RDG-B6.5.

No.	REVISIONS	BY	DATE

Approved:

Allan Swan
Executive Director,
Technical Standards Branch

Date: NOVEMBER, 2007

Alberta
INFRASTRUCTURE AND
TRANSPORTATION

TL-4 SINGLE SLOPE CONCRETE
BARRIER TRANSITION AROUND
EXISTING/NEW BRIDGE PIER -
SHEET 3 OF 3

Prepared By: AK/MO	Checked By: WS	Scale: N.T.S.	Dwg No.: RDG-B6.7
--------------------	----------------	---------------	-------------------

ALL DIMENSIONS ARE IN MILLIMETRES UNLESS OTHERWISE INDICATED.