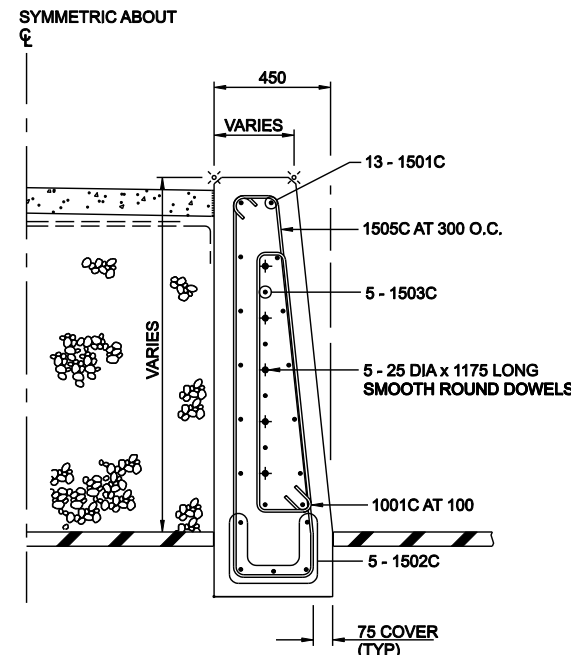
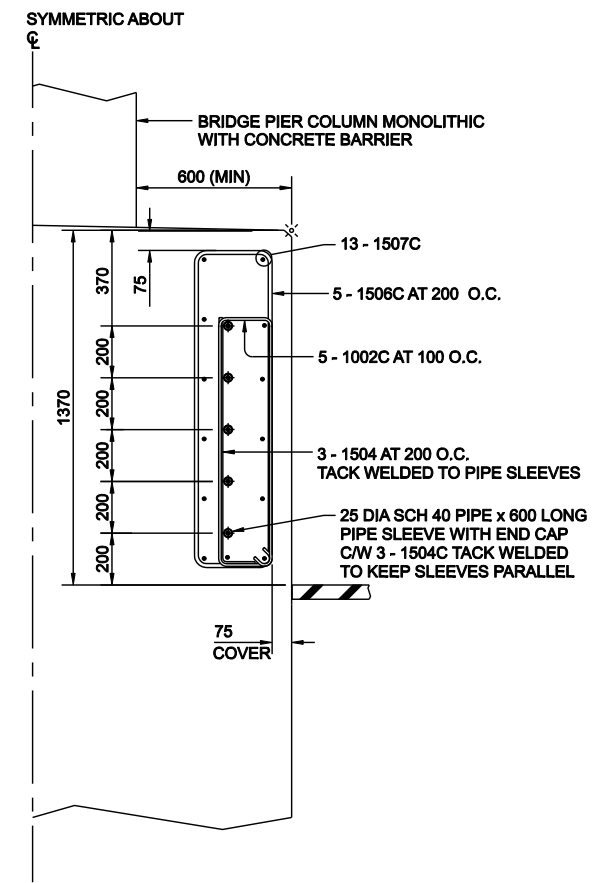


DETAIL 1



SECTION F  
SPLIT MEDIAN BARRIER



SECTION G  
MONOLITHIC BRIDGE PIER BARRIER

BAR LIST: BARRIER								
MARK	SIZE	NO.	TYPE	X	Y	Z	LENGTH	MASS
1001C	10	6	C	220	750	95	2 025	10
1002C	10	5	D	220	750		2 140	8
1501C	15	13	STR				2 850	58
1502C	15	5	STR				2 625	21
1503C	15	5	STR				550	4
1504	15	3	B		750		930	4
1505C	15	9	A				3105 (AVG)	44
1506C	15	6	D	300	950		2 780	26
1507C	15	13	STR				850	17

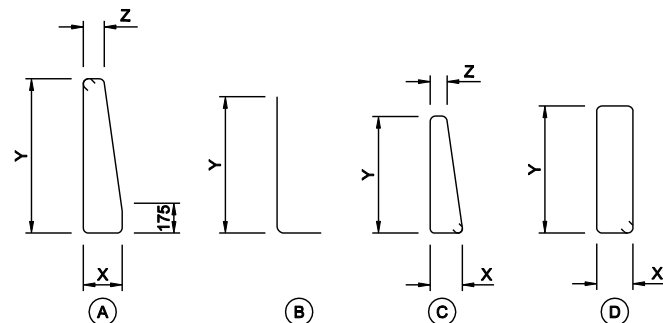
PLAIN EPOXY COATED TOTAL kg = 4  
TOTAL kg = 188

BAR LIST NOTES:

- DIAMETERS OF ALL BENDS AND DETAILS OF ALL HOOKS, UNLESS NOTED OTHERWISE, SHALL CONFORM TO THE RECOMMENDED SIZES DETAILED IN THE REINFORCING STEEL MANUAL OF STANDARD PRACTICE, FIRST CANADIAN EDITION 1992, PUBLISHED BY THE REINFORCING INSTITUTE OF CANADA.
- REINFORCING STEEL SHALL BE IN ACCORDANCE WITH CAN/CSA-G30.18M92 "BILLET STEEL BARS FOR CONCRETE REINFORCEMENT".
- ALL REINFORCING STEEL SHALL BE GRADE 400 UNLESS NOTED OTHERWISE.
- "C" DENOTES EPOXY COATED REINFORCEMENT.
- SMOOTH ROUND DOWELS SHALL BE ASTM GRADE A36, OR APPROVED EQUAL, WITH A MINIMUM YIELD STRENGTH OF 250 MPa.
- CONCRETE SHALL BE MODIFIED CLASS C (MINIMUM 28-DAY COMPRESSIVE STRENGTH OF 35 MPa), UNLESS OTHERWISE SPECIFIED.
- ALL CONCRETE CORNERS SHALL HAVE A 20 CHAMFER OR FILLET UNLESS NOTED OTHERWISE.
- ALL REINFORCING STEEL SHALL HAVE 75 CLEAR COVER UNLESS NOTED OTHERWISE.

CONSTRUCTION NOTES:

- THE 3 - 1504 L-SHAPED DOWELS SHALL BE SHOP WELDED TO THE 25 DIA X 40 SCHEDULE PIPE SLEEVES, COMPLETE WITH END CAP, TO ENSURE THE SLEEVES ARE MAINTAINED PARALLEL.
- A 25 DIA X 25 LONG COMPRESSIBLE PLUG, SUCH AS POLYSTYRENE, SHALL BE INSERTED INTO EACH PIPE SLEEVE PRIOR TO SLIDING THE 25 DIA SMOOTH ROUND DOWELS INSIDE THE SLEEVES.
- DURING PLACEMENT OF THE BARRIER CONCRETE SHOWN IN SECTION G, THE 25 DIA SMOOTH ROUND DOWELS SHALL BE SET 575 FROM FACE OF THE 25 THICK AIFB EXPANSION JOINT. THE DOWELS SHALL BE TIED SECURELY TO THE 1001C STIRRUPS TO PREVENT THE DOWELS FROM SLIDING OUT DURING CONCRETE PLACING AND VIBRATING.



ALL DIMENSIONS ARE IN MILLIMETRES UNLESS OTHERWISE INDICATED.

No.	REVISIONS	BY	DATE
2			
1			

Approved:

Allan Kwan  
Executive Director,  
Technical Standards Branch

Date: NOVEMBER, 2007

**ALBERTA**  
INFRASTRUCTURE AND  
TRANSPORTATION

**SUPERSEDED**

**TO 4 SINGLE SLOPE  
CONCRETE MEDIAN BARRIER  
TRANSITION AROUND NEW  
BRIDGE PIER - SHEET 2 OF 3**

Prepared By: MO	Checked By: WS	Scale: N.T.S.	Dwg No.: RDG-B6.6
-----------------	----------------	---------------	-------------------