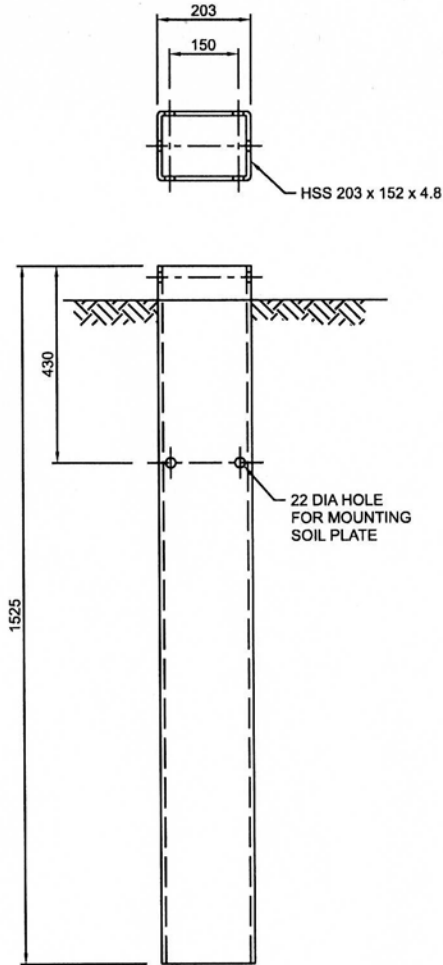


FRONT

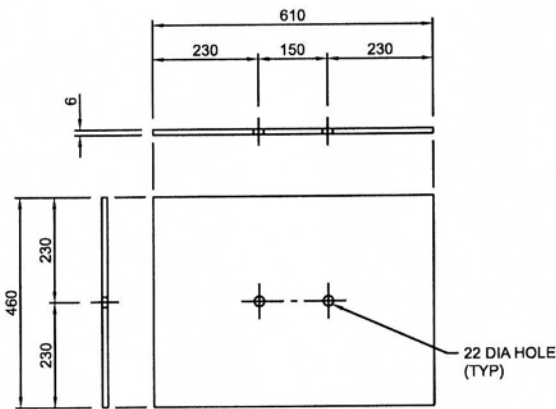


SIDE

FOUNDATION TUBE

NOTE:



WOOD POST SHOULD BE ABLE TO SLIDE INTO THE TOP OF FOUNDATION TUBE SO THE ACTUAL INSIDE DIMENSIONS OF FOUNDATION TUBE CAN NOT BE LESS THAN 190x140.



FOUNDATION TUBE SOIL PLATE

ALL DIMENSIONS ARE IN MILLIMETRES UNLESS OTHERWISE INDICATED.

△			
△			
No.	REVISIONS	BY	DATE

<p>Approved:</p>  <p>Executive Director, Technical Standards Branch</p>	
<p>Date: NOVEMBER, 2007</p>	

FOUNDATION TUBE AND FOUNDATION TUBE SOIL PLATE DETAILS FOR W-BEAM AND THRIE BEAM CABLE ANCHOR TERMINAL

Prepared By: MO	Checked By: WS	Scale: NTS	Dwg No.: RDG-B5.4
-----------------	----------------	------------	--------------------------