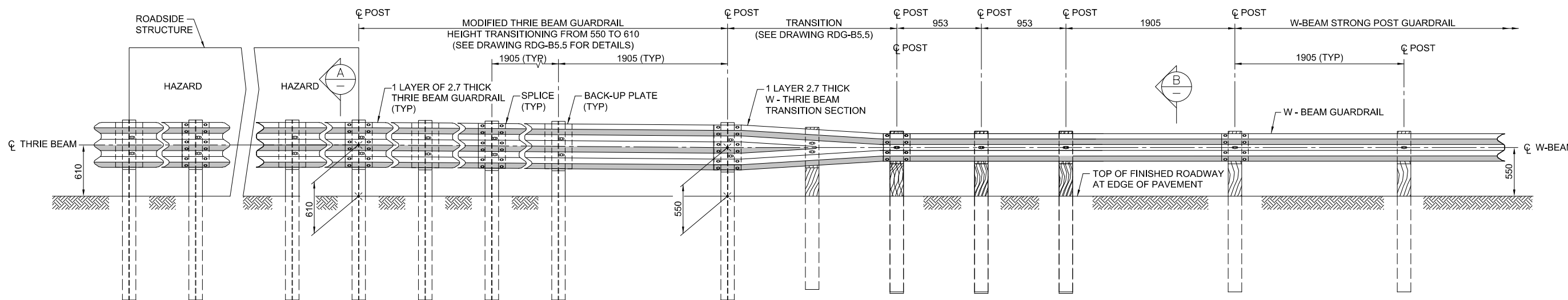
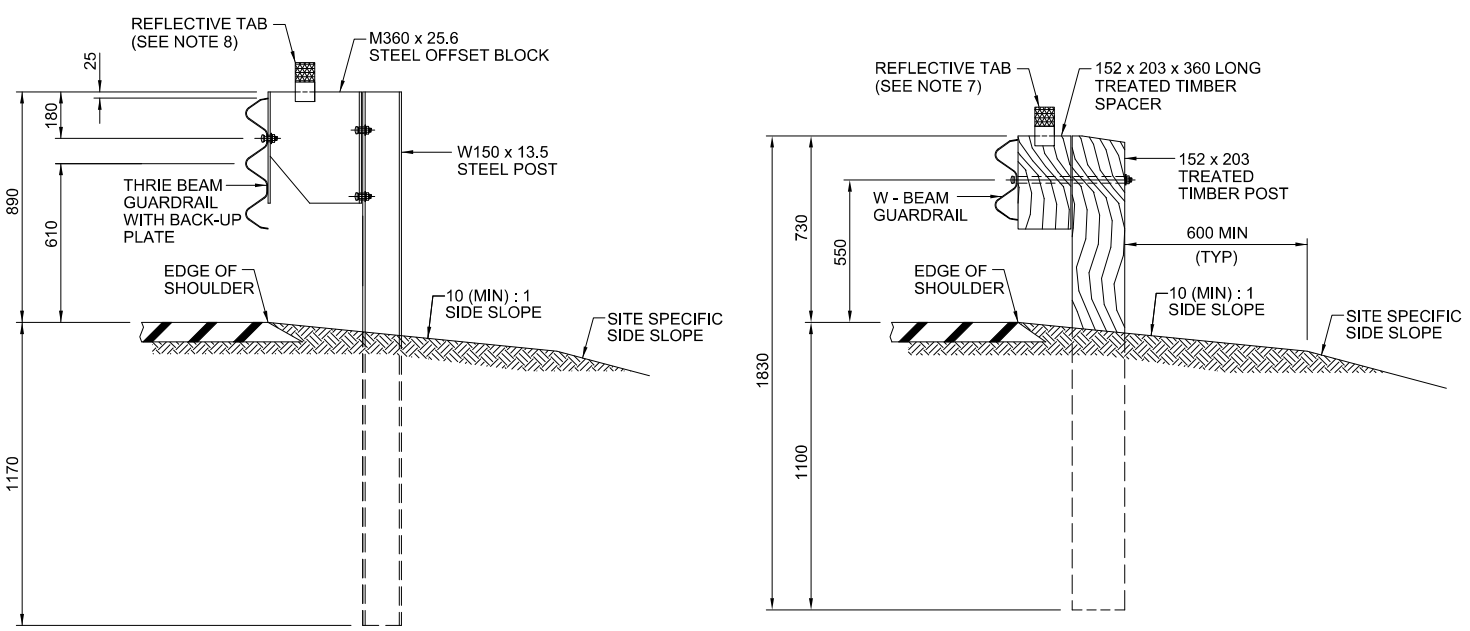


PLAN



ELEVATION



POST DETAILS

NOTES:

1. FOR GENERAL LAYOUT REFER TO TEB DRAWINGS 3.15a AND 3.18.
2. WHERE GUARDRAIL IS ADJACENT TO CURB, HEIGHT OF RAIL SHALL BE MEASURED AS FOLLOWS:
 - a. VERTICALLY AT FACE OF GUARDRAIL WHEN FACE OF GUARDRAIL IS MORE THAN 300 BEYOND GUTTER LINE.
 - b. VERTICALLY AT GUTTER LINE WHEN FACE OF GUARDRAIL IS 300 OR LESS BEYOND GUTTER LINE.
3. POSTS SHALL BE SET BY INSTRUMENT FOR ALIGNMENT AND GRADE, WITH TOP PARALLEL TO PAVEMENT GRADE.
4. THE ACCEPTABLE TOLERANCE FOR HEIGHT OF GUARDRAIL AT TIME OF CONSTRUCTION OR MAINTENANCE SHALL BE IN ACCORDANCE WITH THE MOST RECENT SPECIFICATIONS.
5. LAP ALL JOINTS IN THE DIRECTION OF TRAFFIC FLOW.
6. ALL FITTINGS AND HARDWARE REQUIRED SHALL BE GALVANIZED.
7. FASTEN REFLECTOR TO TOP OF EVERY SIXTH GUARDRAIL STRONG POST SPACER BY MECHANICAL MEANS SUCH AS NAILING OR STAPLING. ADHESIVES ALONE WILL NOT BE ACCEPTED. REFER TO DRAWING TEB 3.01 FOR REFLECTOR DETAILS.
8. FASTEN REFLECTOR TO TOP OF EVERY SIXTH GUARDRAIL STEEL OFFSET BLOCK WITH APPROVED ADHESIVE. REFER TO DRAWING TEB 3.01 FOR REFLECTOR DETAILS.
9. THIS TRANSITION SATISFIES NCHRP REPORT 350 REQUIREMENTS FOR TEST LEVEL 3 (TL3).

2			
1	NOTES 7 AND 8 REVISED	PM	8 JUL 09
No.	REVISIONS	BY	DATE

Approved:

Allan Kwan
Executive Director,
Technical Standards Branch

Date: NOVEMBER, 2007

W-BEAM STRONG POST TO MODIFIED THRIE BEAM GUARDRAIL TRANSITION AT ROADSIDE STRUCTURE

SUPERSEDED
11 MARCH 2016
Refer to RDG-B5.10

Prepared By: MO	Checked By: WS	Scale: N.T.S.	Dwg No.: RDG-B1.8
-----------------	----------------	---------------	-------------------

ALL DIMENSIONS ARE IN MILLIMETRES UNLESS OTHERWISE INDICATED.