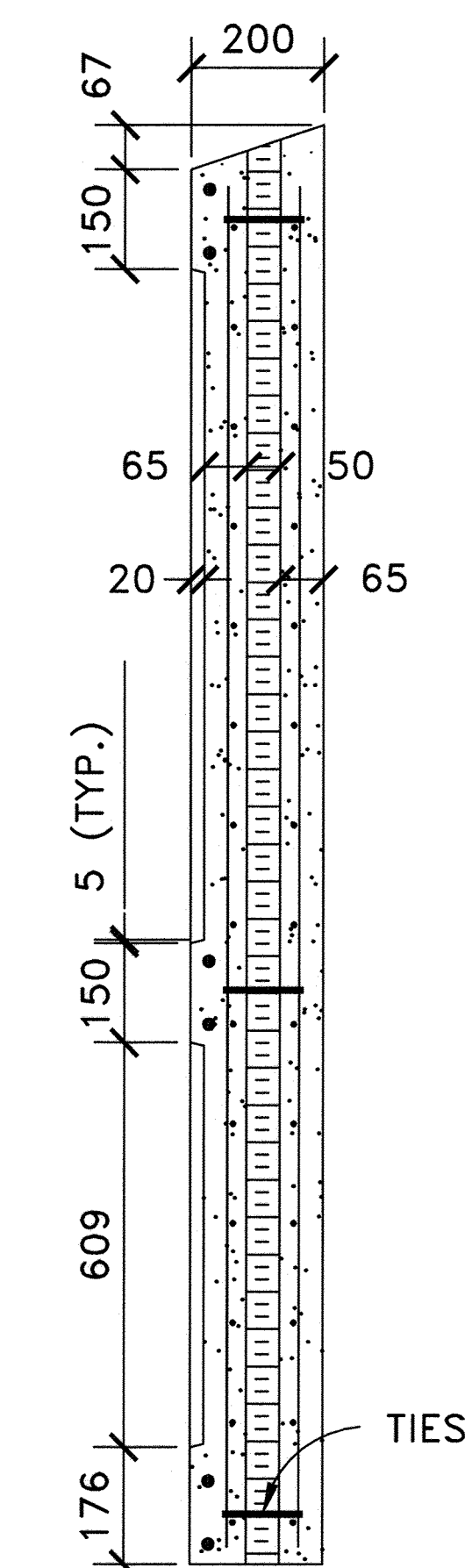


LETTERING ON 600 x 3265 x 3 ALUMINUM PLATE C/W HIRPRS (ASTM 04956 TYPE III OR IV) LETTERING FRUTIGER 55 SEE TABLE IN SPECIFICATIONS FOR TEXT REQUIRED ON SIGN

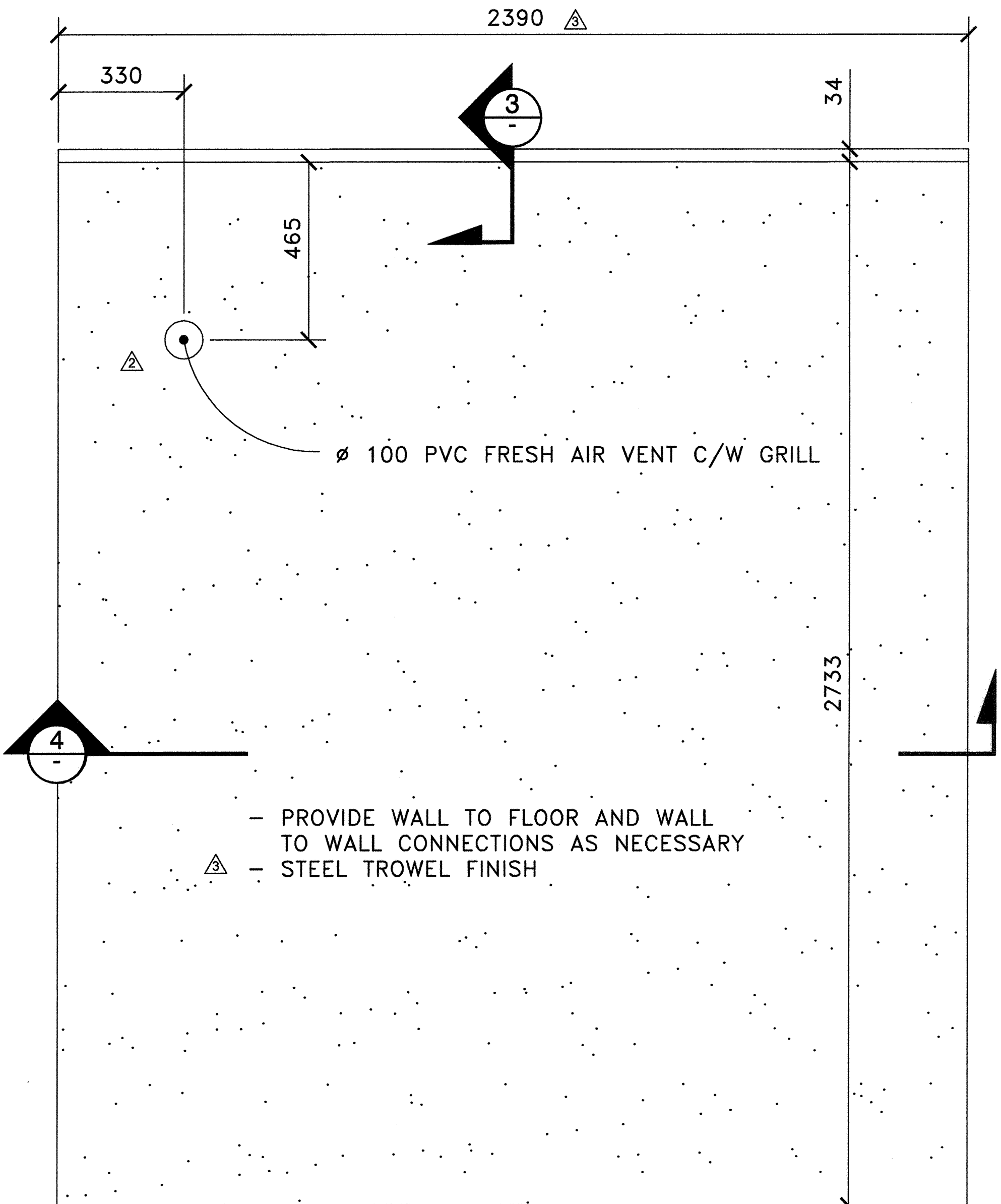
FLOOR CONNECTION AS NECESSARY

PROVINCIAL SIGNATURE

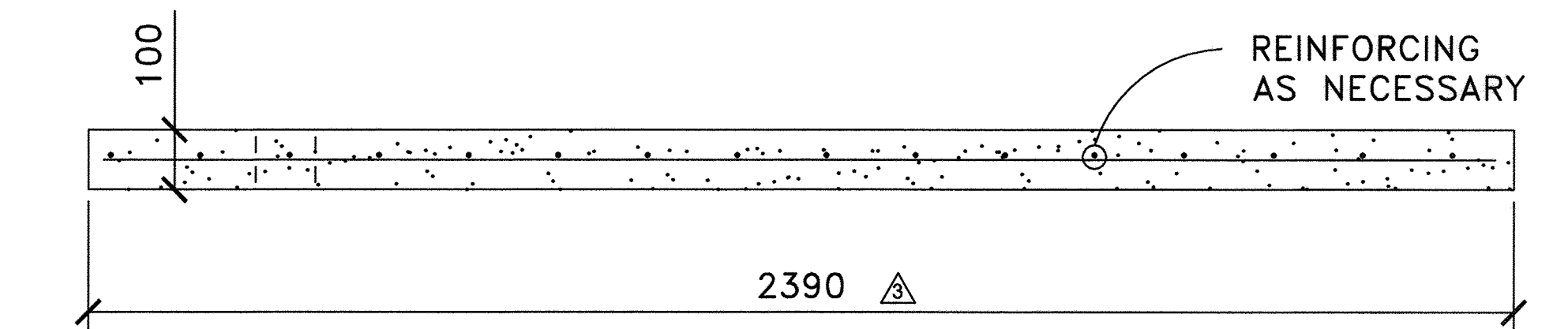
PRECAST PANEL A ELEVATION
N.T.S.



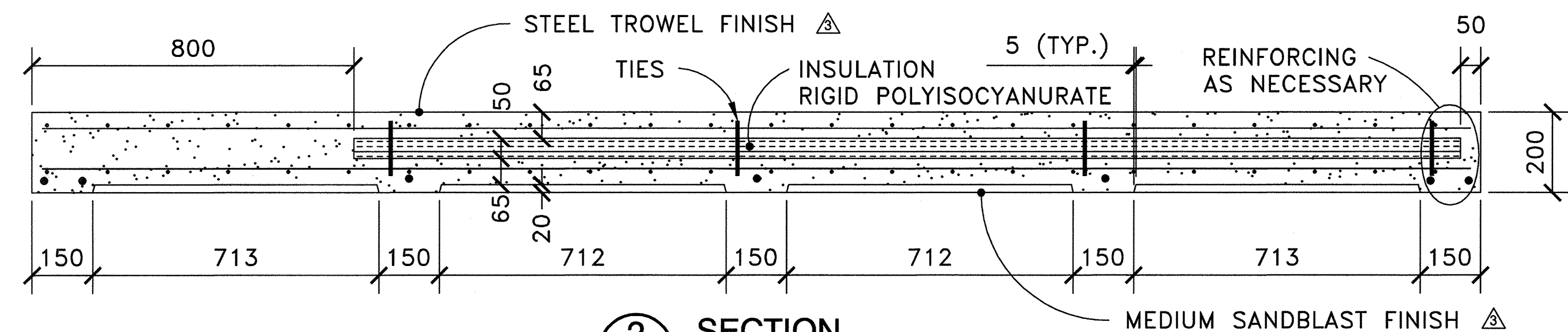
1 SECTION
N.T.S.



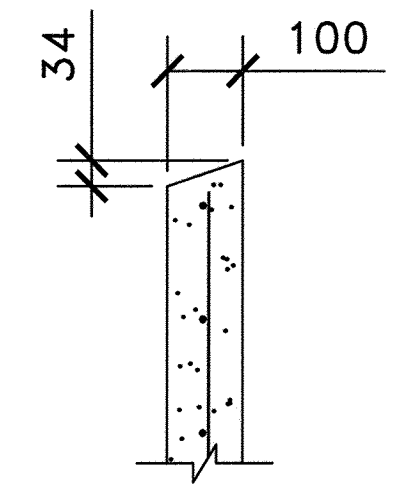
PRECAST PANEL F ELEVATION
N.T.S.



4 SECTION
N.T.S.

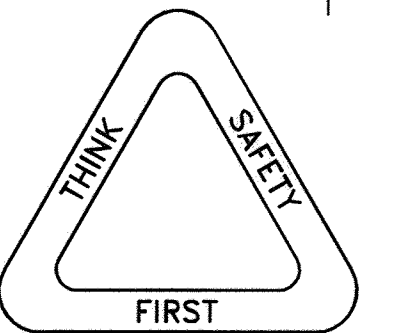


2 SECTION
N.T.S.



3 SECTION
N.T.S.

- NOTES:**
- ALL DIMENSIONS SHOWN IN MILLIMETRES
 - CONCRETE CLASS "D", MEDIUM BROWN PIGMENT
 - REINFORCING STEEL 400 MPa
 - PANEL B IS A MIRROR OF PANEL A
 - PANEL G IS A MIRROR OF PANEL F
 - WORK THESE DRAWINGS TOGETHER CB6-4.6M1 TO 20



| | | | |
|---------------------|--|------------|--|
| 2013-01-18 | REVISED SHEET SURROUND | AN | RECOMMENDED DIRECTOR HIGHWAY OPERATIONS |
| 2012-02-07 | ADDED AND REVISED NOTES REVISED DIMENSION | AN | <i>[Signature]</i> |
| 2011-06-27 | CHANGED VENT | AN | |
| 2009-06-15 | REDRAWN | SS | APPROVED EXECUTIVE DIRECTOR TECHNICAL STANDARDS BRANCH |
| REV | DATE | REVISIONS | BY |
| | | | <i>[Signature]</i> |
| DESIGNER | AN | CHECKER | DATE <i>FEB 8/13</i> |
| DEPARTMENT BAR CODE | | DATE | SHEET |
| | | 2009-06-15 | 8 OF 21 |
| | | DRAWING | |
| | | CB6-4.6M8 | |