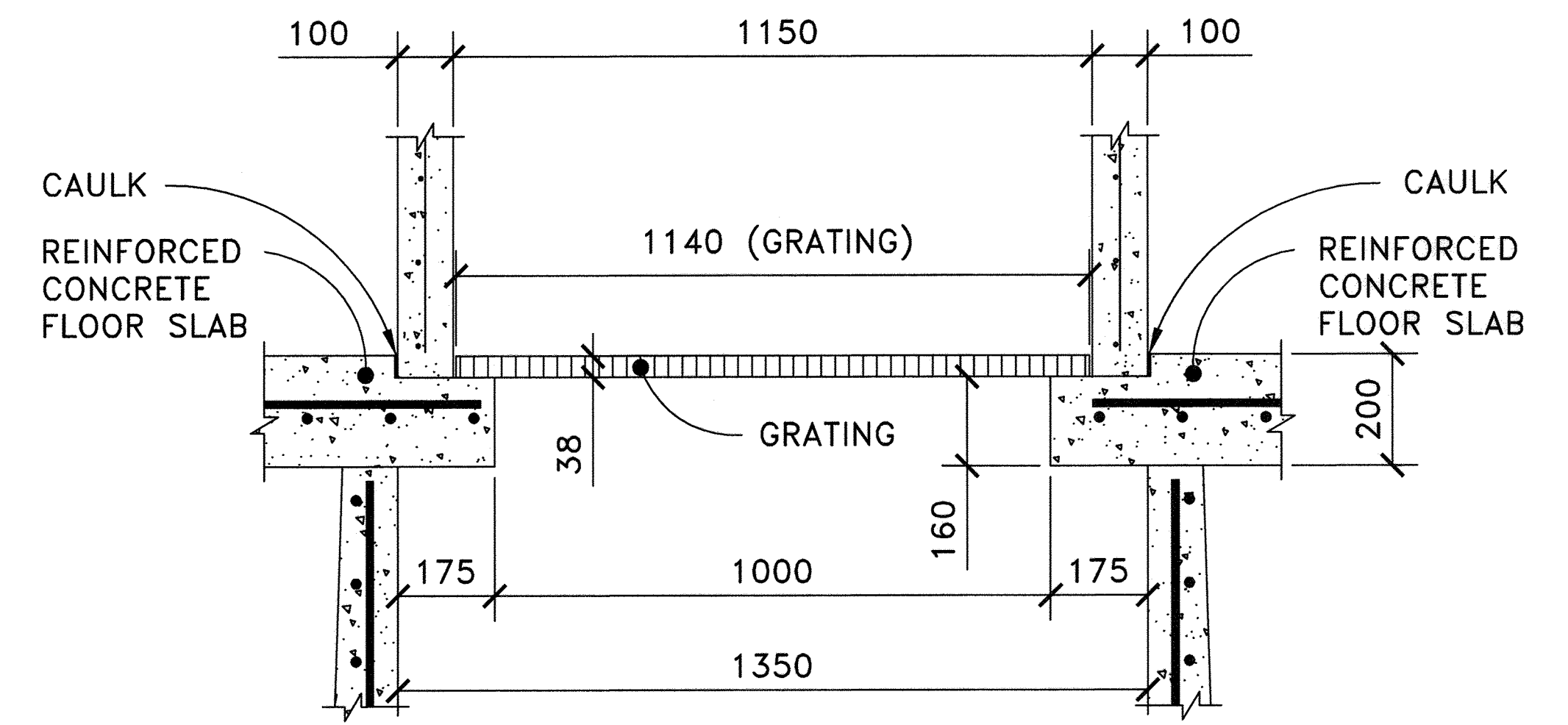
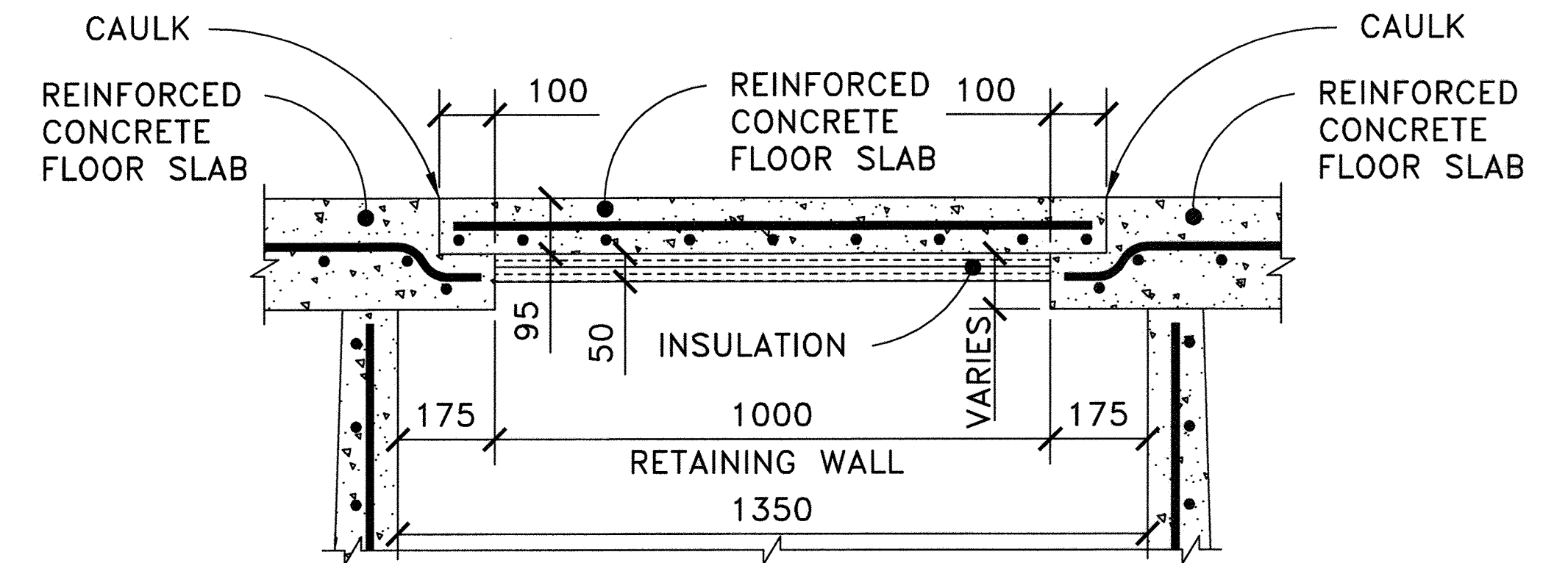


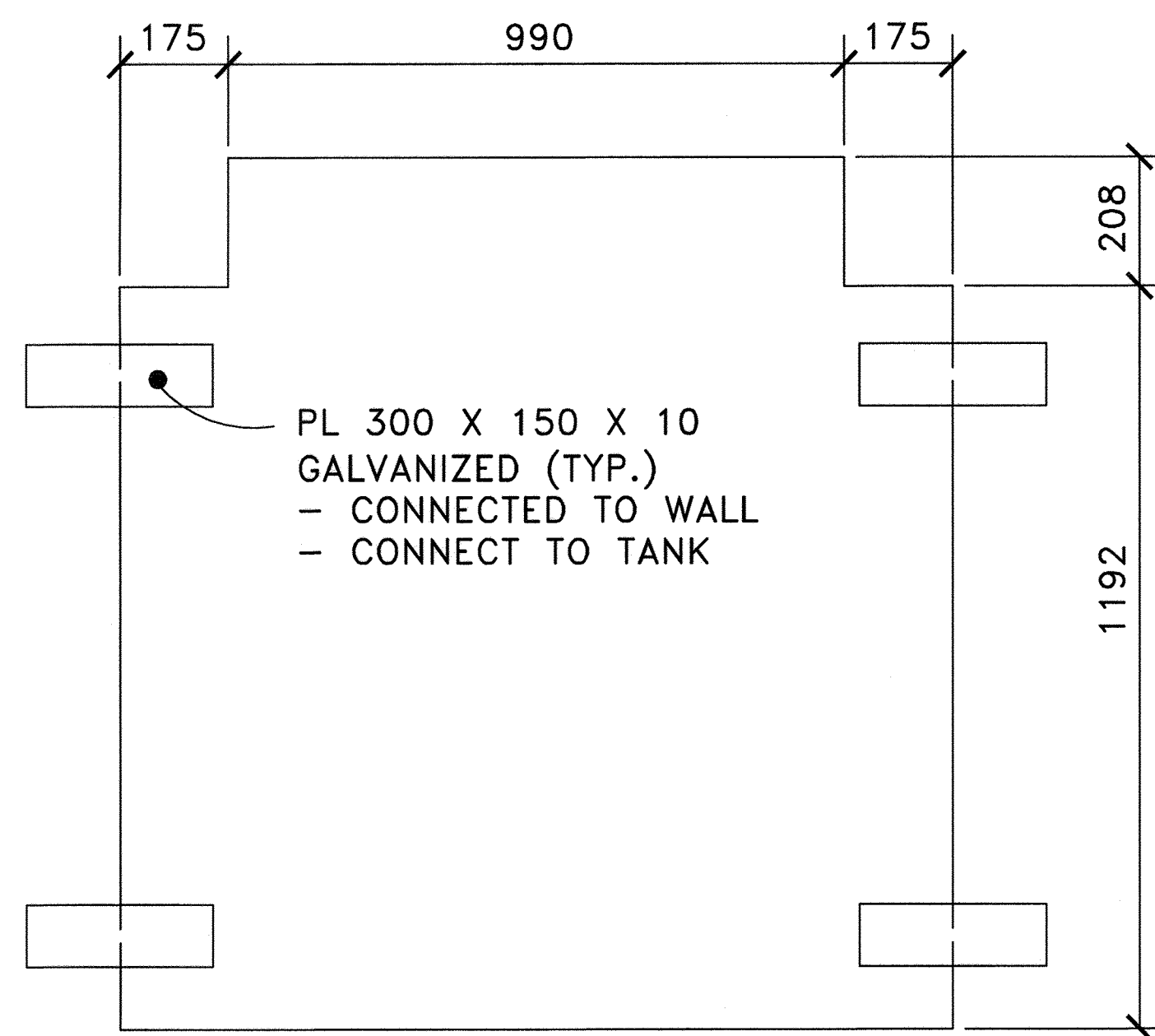
**4 SECTION**  
CB6-4.6M4 N.T.S.



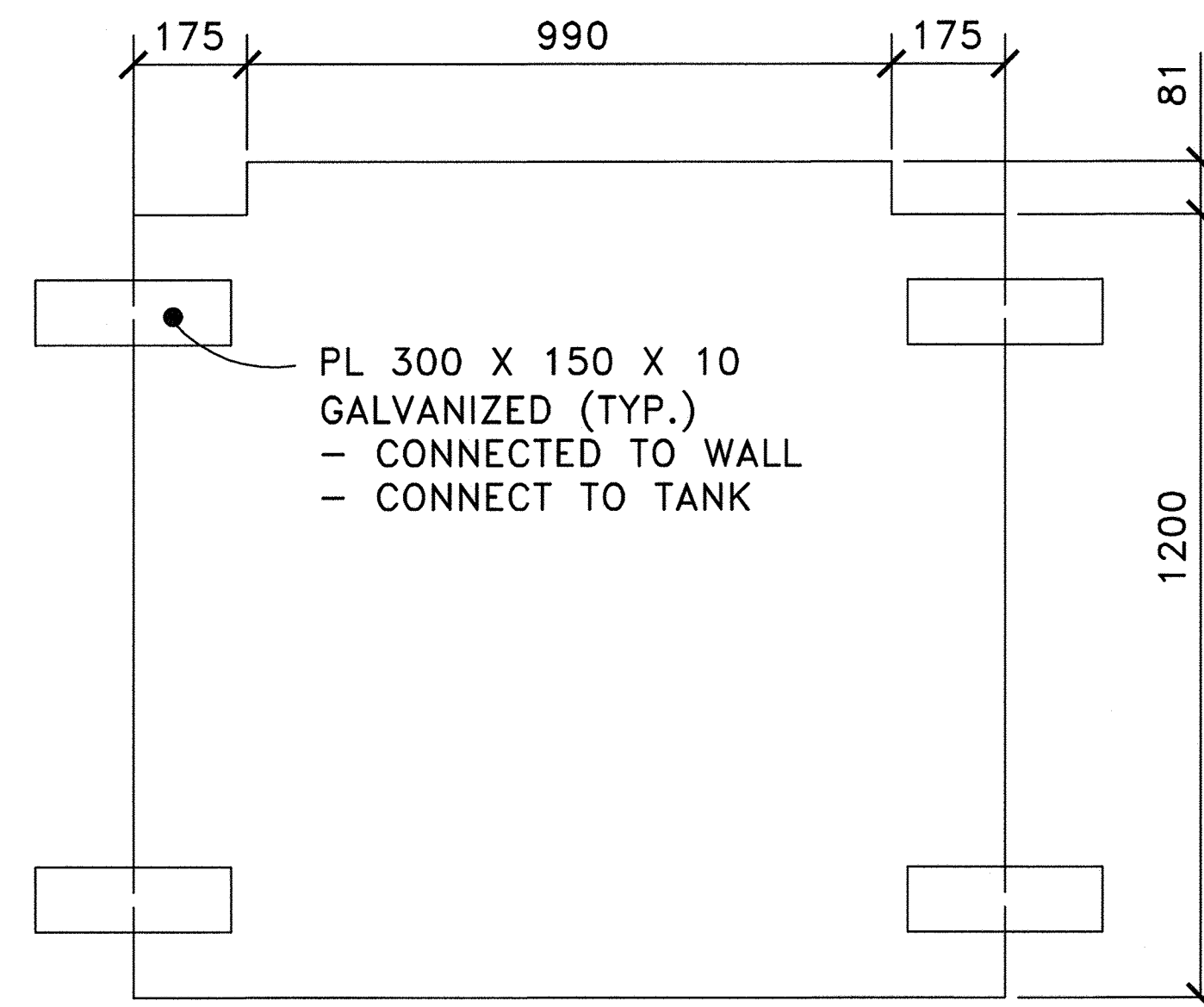
**2 SECTION**  
CB6-4.6M4 N.T.S.



**3 SECTION**  
CB6-4.6M6 N.T.S.



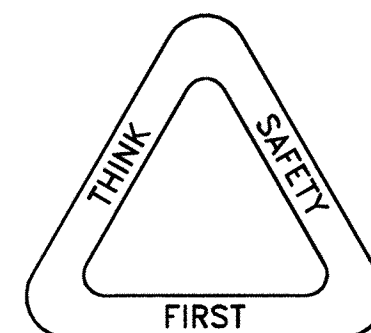
**5 DETAIL, FRONT RETAINING WALL**  
N.T.S.



**6 DETAIL, REAR RETAINING WALL**  
N.T.S.

**NOTES:**

- ALL DIMENSIONS SHOWN IN MILLIMETRES
- CONCRETE CLASS "D", MEDIUM BROWN PIGMENT
- △ REINFORCING STEEL 400 MPa
- STEEL PLATES (G40.20/G40.21 GRADE 300W)
- WORK THESE DRAWINGS TOGETHER CB6-4.6M1 TO 20



REV	DATE	REVISIONS	BY
△	2013-01-18	REVISED SHEET SURROUND	AN
△	2012-02-07	ADD. & REV. NOTES, CHANGE DIM., ADD SUMP, VAPOUR BARRIER	AN
△	2011-06-27	CHANGED NUMBER OF SHEETS	AN
△	2009-06-15	REDRAWN	SS
DESIGNER	AN	CHECKER	

RECOMMENDED DIRECTOR HIGHWAY OPERATIONS			
<i>[Signature]</i>			
APPROVED EXECUTIVE DIRECTOR TECHNICAL STANDARDS BRANCH			
<i>[Signature]</i>			
DATE: FEB 8/13			
ALBERTA Transportation		DOUBLE TOILET SECTIONS AND DETAILS	
DEPARTMENT BAR CODE	DATE	SHEET	DRAWING
	2009-06-15	12 OF 21	CB6-4.6M12