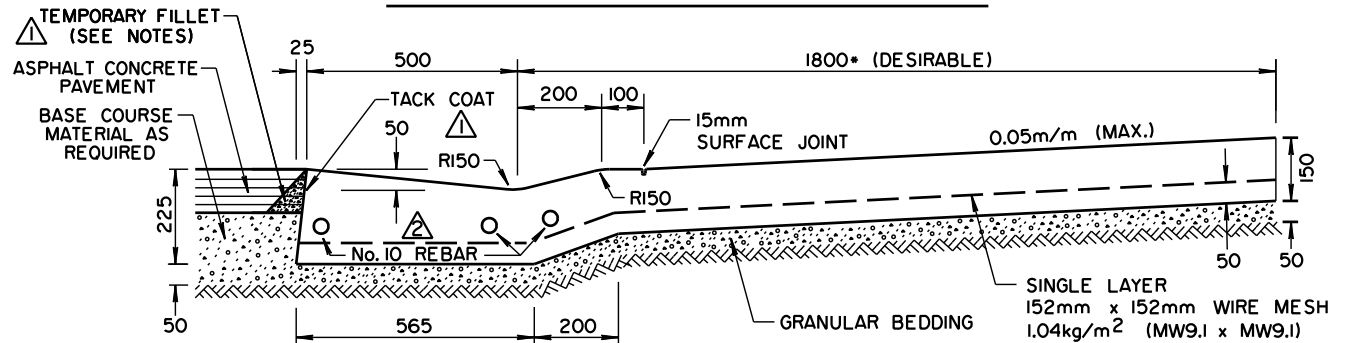
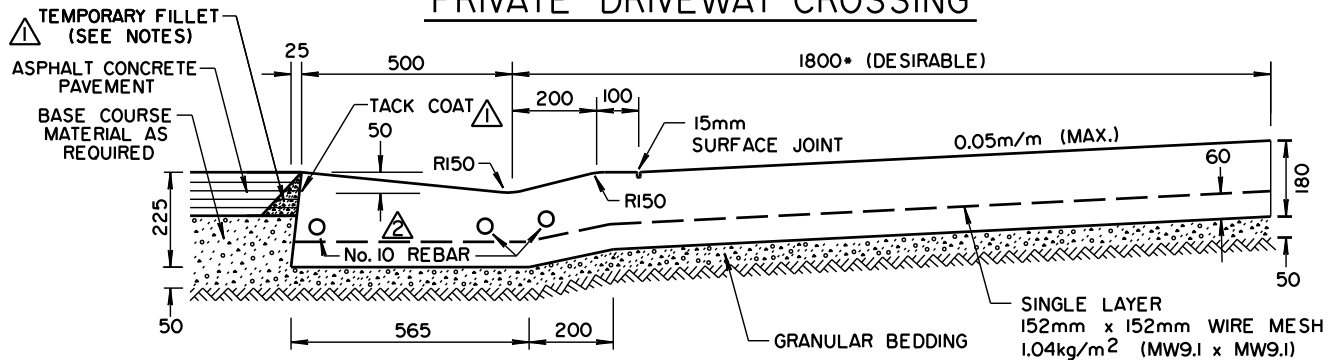


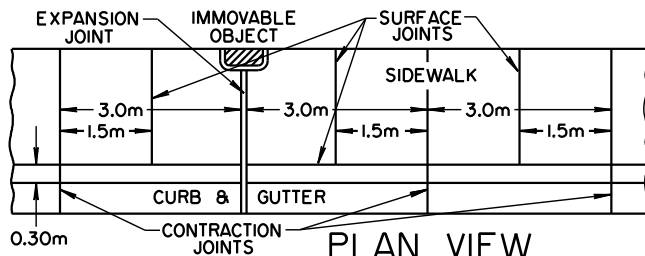
ROLLED MONOLITHIC SIDEWALK



PRIVATE DRIVEWAY CROSSING



LANE AND COMMERCIAL CROSSING



PLAN VIEW

NOTES:

- NOT TO SCALE
- All dimensions shown are in millimetres unless otherwise noted.
 - Contraction joints (50mm depth) shall be formed at 3m spacing (minimum).
 - Surface joints (15mm depth) shall be constructed on sidewalk halfway between contraction joints and 150mm back from face of curb.
 - Expansion joints shall be constructed as required in specifications.
 - Wire mesh and longitudinal boxes to extend through all surface joints and end 50mm from expansion joints or contraction joints.
 - A temporary fillet of asphalt stabilized base course material is to be placed along the gutter whenever asphalt concrete pavement is to be placed in the future.
- * Sidewalk width as specified (min. 1.5m - max. 3.0m)

△	No. 10M BARS REVISED TO No. 10 REBAR	BK	05/92
△	Add Note 6 ; Add Temp. Fillet & Tack Coat	BK	05/92
No.	REVISIONS	BY	DATE

Approved:
 ORIGINAL SIGNED
 BY PETER TAJCNER
 Director,
 Design Engineering Branch



Date: JULY 23, 1991

**ROLLED MONOLITHIC CONCRETE
 SIDEWALK, CURB AND GUTTER
 (500mm GUTTER)**

Prepared By: Cgk	Checked By: BK	Scale: N.T.S.	Dwg No.: CB6-4.2M90
------------------	----------------	---------------	---------------------

SUPERSEDED