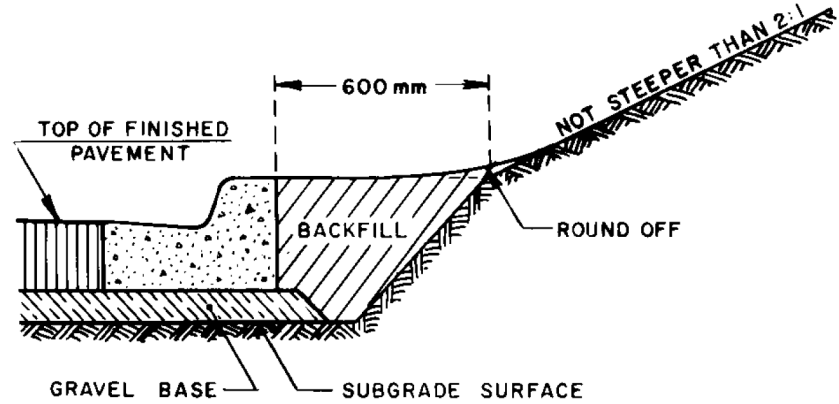


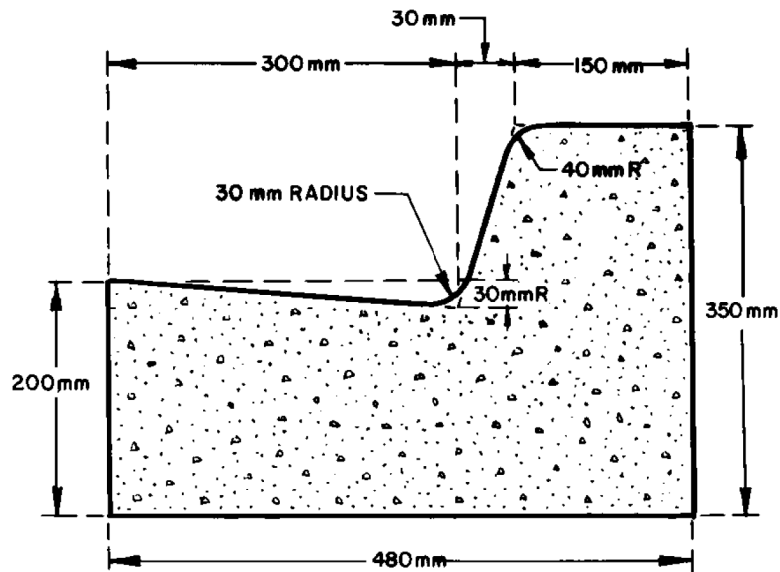
CURB AND GUTTER IN FILL



CURB AND GUTTER IN CUT

NOTES:

1. END AREA = 0.12 m²
2. EXPANSION JOINTS AT INTERVALS NOT EXCEEDING 15 m.
3. STANDARD 3.0 m SPACING OF INTERMEDIATE SURFACE JOINTS. MINIMUM 1.2 m SECTION AS REQUIRED FOR CLOSURE.



CROSS - SECTION

Alberta TRANSPORTATION Engineering Division	DWG. No.	CB - 6
	Engineer	4.2.M20
	Date	Jan. 1982
	Revised	
CONCRETE CURB AND GUTTER (480 mm W. x 350 mm H.)		

OBSOLETE
 March 2022