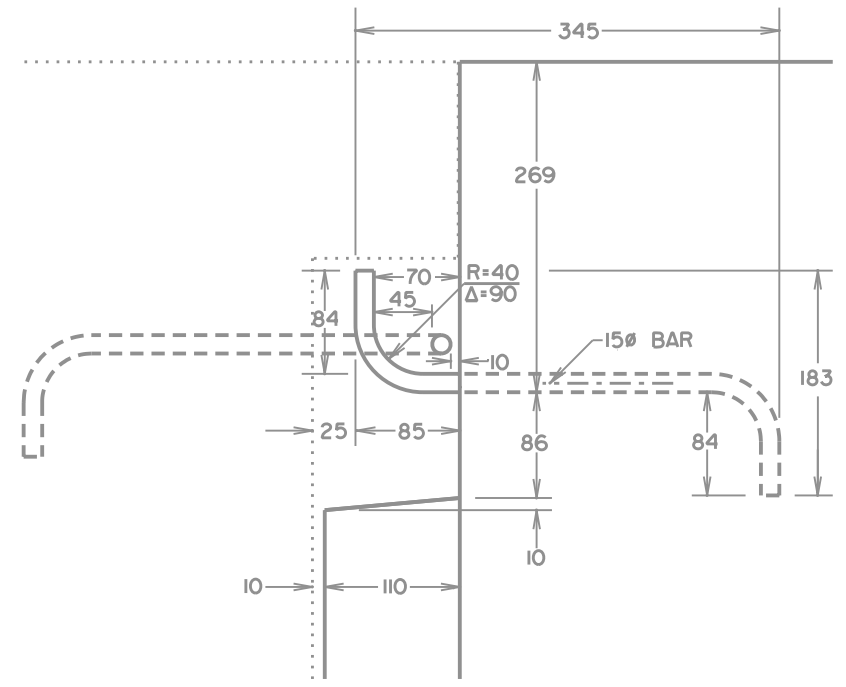


PLAN VIEW



ELEVATION VIEW

**NOTES:**

1. CONCRETE SHALL BE SULPHATE RESISTANT CONCRETE 40 MPa AT 28 DAYS.
2. REINFORCEMENT SHALL BE EPOXY COATED REINFORCING BARS.
3. REINFORCING STEEL SHALL BE GRADE 400 UNLESS NOTED OTHERWISE.
4. EXPOSED SURFACES SHALL HAVE 20mm CHAMFER OR FILLET OR OTHERWISE SPECIFIED.
5. DIAMETERS OF BENDS AND DETAILS OF HOOKS, UNLESS NOTED OTHERWISE SHALL CONFORM TO THE RECOMMENDED SIZES DETAILED IN THE REINFORCING STEEL INSTITUTE OF CANADA "MANUAL OF STANDARD PRACTICE".
6. FOR CONNECTION DETAILS AND 3 DIMENSIONAL VIEW OF BARRIERS SEE DRAWING CB6-4.2MI2, MI3 AND MI4.
7. HOOKS AND EYES SHALL BE 15Ø GALVANIZED STEEL.
8. HOOKS AND EYES SHALL BE SECURED IN PLACE DURING CASTING.
9. DIMENSIONS ARE IN MILLIMETRES UNLESS OTHERWISE NOTED.

| △  |                  |               |                      |
|--|------------------|---------------|----------------------|
| △  |                  |               |                      |
| No.  | REVISIONS        | BY            | DATE                 |
| Approved:<br>ORIGINAL SIGNED<br>BY DAVE PALSAT<br>Executive Director,<br>Roadway Engineering Branch<br>TRANSPORTATION  |                  |               |                      |
| Date:  | 94/12            |               |                      |
| <b>OBSOLETE</b><br><b>April 15, 2005</b><br><b>Refer to 4.2M16</b><br>REINFORCED CONCRETE<br>ROADWAY BARRIER<br>MALE CONNECTION DETAILS<br>PRECAST 'F' SHAPE |                  |               |                      |
| Prepared By: L.T.  | Checked By: B.K. | Scale: N.T.S. | Dwg No.: CB6-4.2 MI4 |