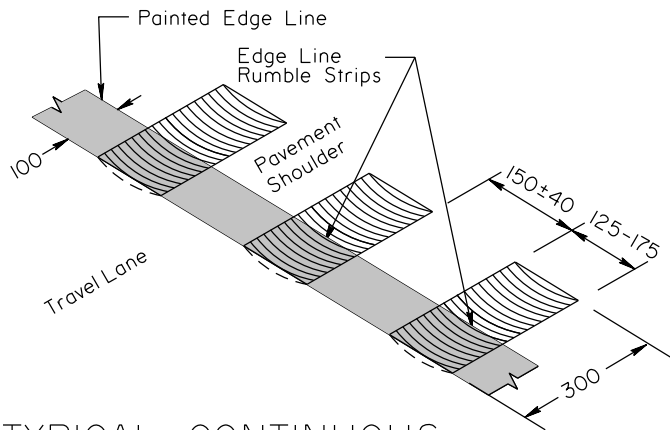
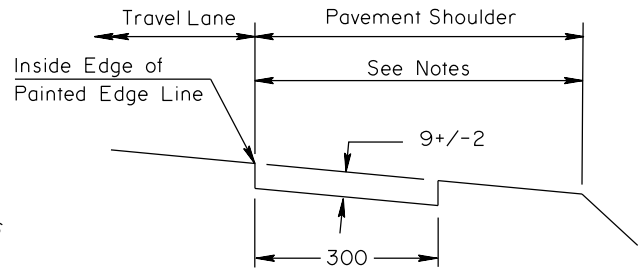


PLAN VIEW



TYPICAL CONTINUOUS
EDGE LINE RUMBLE STRIP
INSTALLATION



SECTION 'A-A'

Notes:

NOTE: All dimensions are in millimetres.

1. Rumble strips are to be placed on existing paved projects on:
 - two-lane highways with min. 1.0m shoulders but less than 1.4m shoulders.
2. Rumble strips should only be installed on interchange ramps when directed by the Consultant.
3. Rumble strips are not to be placed through urban areas, within 300m of residences or where shoulder widths are reduced due to the presence of turning lanes.
4. Rumble strips are to be interrupted for intersections and accesses (which are normally in daily use). Rumble strips will normally be continuous through field accesses. Strips are to be terminated 60m prior to the taper and reinstated 60m from the end of taper. Where there are no tapers, rumble strips may be terminated/reinstated 200m from the intersection or as directed by the Consultant.
5. Rumble strips are to be placed at the approaches to all bridges that have barrier systems if the shoulder exceeds 1.0m. Strips will commence 100m prior to the approach guardrail and terminate 10m prior to the bridge deck. Rumble strips are not to be placed on bridge decks.
6. Rumble strips may be installed selectively at locations where hazards exist near the travel lanes provided the right hand shoulder exceeds 1.0m but not less than 1.4m, e.g. Railway crossing cantilever structures, raised medians etc.
7. Edge line shall be repainted over the top of rumble strips.

3			
2			
1	REVISED NOTE 4	L.M.	27/11/2018
No.	REVISIONS	BY	DATE

Approved:

D. WILLIAMSON
Executive Director,
Technical Standards Branch

Alberta
Transportation

Date: MARCH 07, 2017

**TYPICAL LAYOUT FOR
MILLED EDGE LINE RUMBLE STRIPS**

Prepared By: GEC	Checked By: HC	Scale: NTS	Dwg No.: CB6-3.52M5
------------------	----------------	------------	---------------------

SUPERSEDED
September 10, 2021