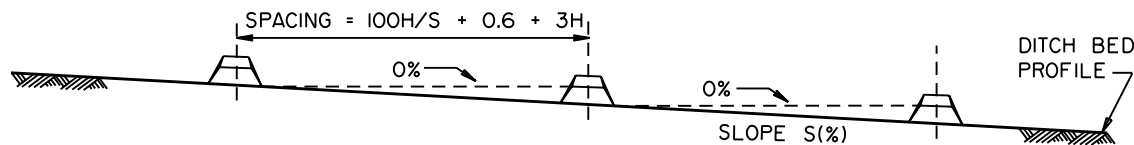
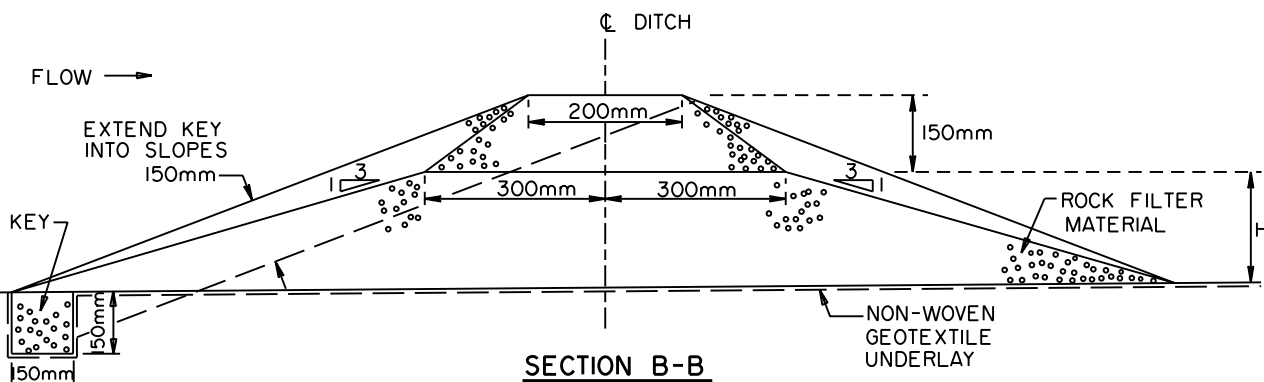
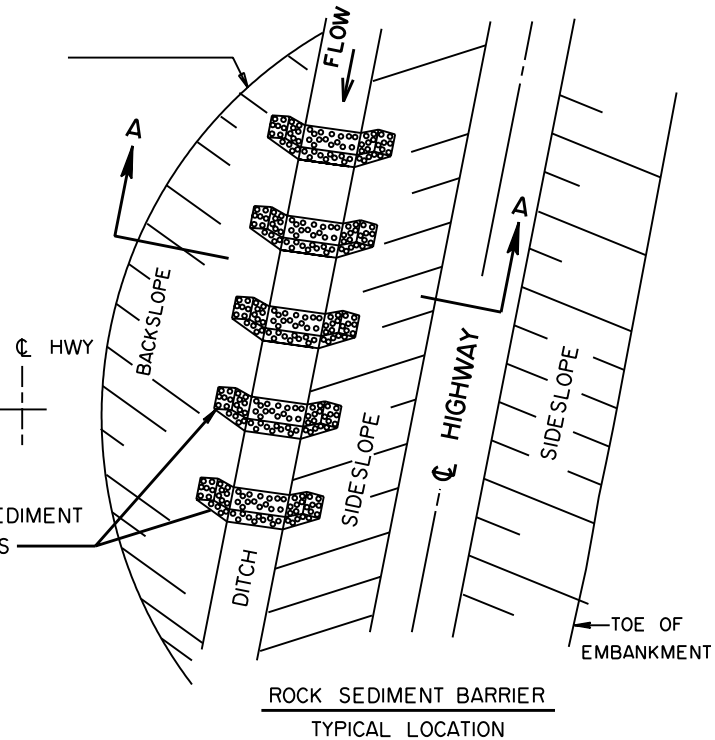
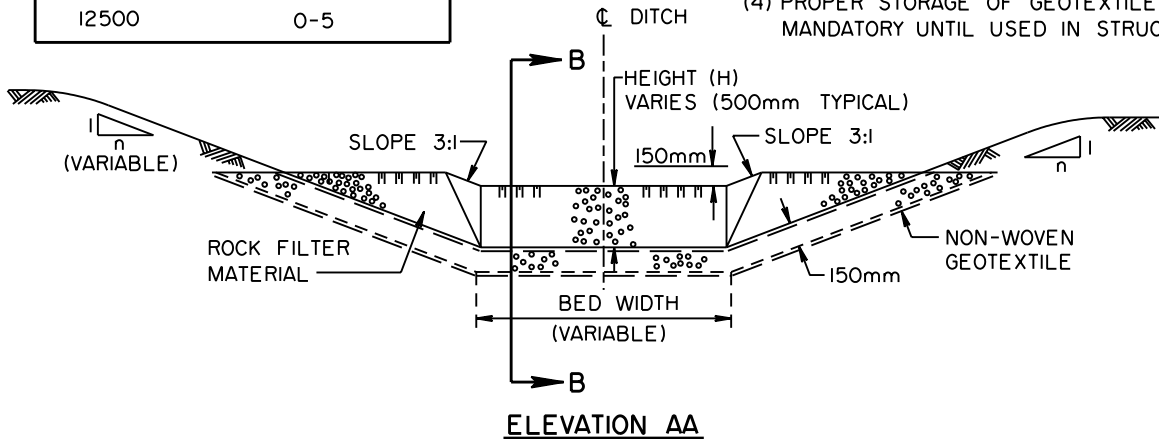


GRAPHICS FILE: cb6216m3.man

TABLE I ROCK FILTER GRADATION	
SIEVE SIZE (Microns)	PERCENT PASSING (by weight)
80000	100
63000	90-100
40000	15-60
20000	0-10
12500	0-5

NOTES:

- (1) SILT ACCUMULATION TO BE REMOVED WHEN HALF BARRIER HEIGHT COVERED.
- (2) BARRIERS TO BE REMOVED AFTER VEGETATION ESTABLISHED.
- (3) NON-WOVEN GEOTEXTILE CONFORMING TO AT&U SPECIFICATIONS SHALL BE USED.
- (4) PROPER STORAGE OF GEOTEXTILE IS MANDATORY UNTIL USED IN STRUCTURE.



No.	REVISIONS	BY	DATE

Approved:
 ORIGINAL SIGNED BY
 ALLAN KWAN
 Executive Director,
 Technical Standards Branch



Date: JANUARY 29, 1996

ROCK SEDIMENT BARRIER

OBSOLETE
 Refer to INFRA DESIGN GUIDELINES FOR EROSION AND SEDIMENT FOR HIGHWAYS

Prepared By: R.M.	Checked By: B.K.	Scale: N.T.S.	Dwg No.: CB6-2.16M3
-------------------	------------------	---------------	---------------------