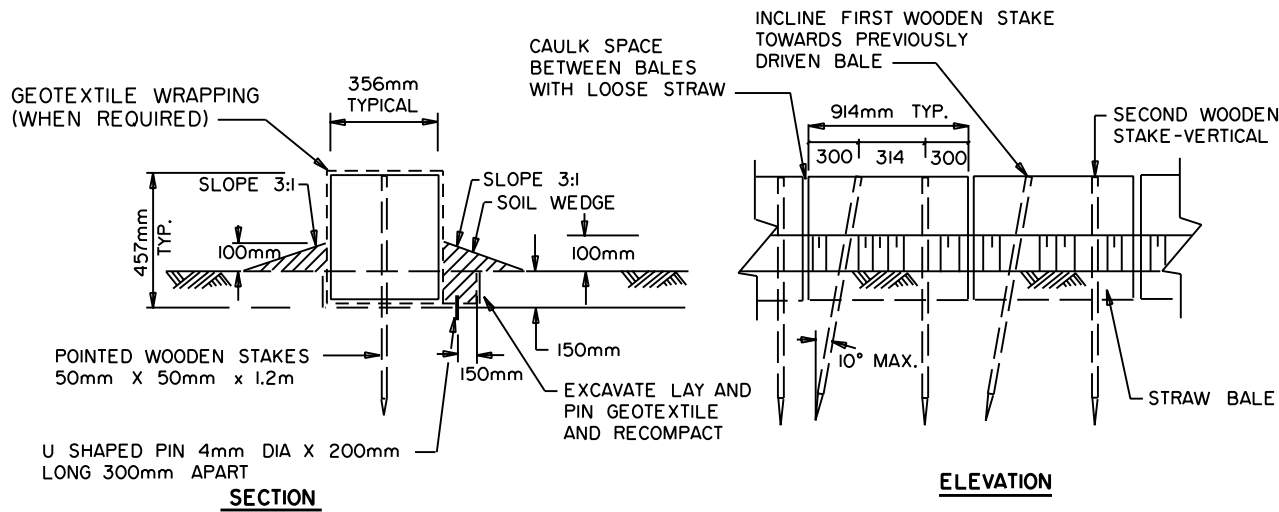
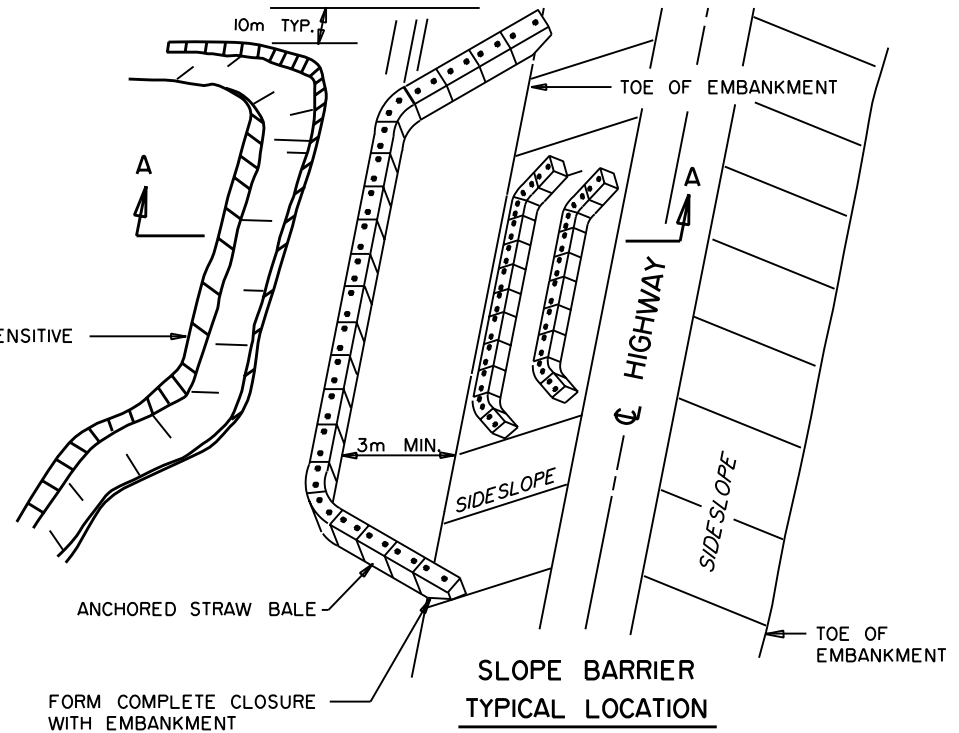


SECTION A-A

Notes

1. On-slope barriers required when minimum 3m distance from slope to toe barrier not available.
2. Silt accumulation to be removed when half barrier height covered.
3. Barriers to be removed after vegetation established.
4. When specified, geotextile shall conform to AT&U specifications.
5. Proper storage of geotextile mandatory until used in structure.



DETAIL I - (ON-SLOPE BARRIERS SIMILAR)

▲			
▲			
No.	REVISIONS	BY	DATE
Approved: ORIGINAL SIGNED BY ALLAN KWAN Executive Director, Technical Standards Branch			
Date: JANUARY 29, 1996			
OB SOLETT STRAW BALE SLOPE BARRIER Alberta TRANSPORTATION AND UTILITIES Revisio NETA DESIGN GUIDELINES FOR EROSION AND SEDIMENT FOR HIGHWAYS			
Prepared By: R.M.	Checked By: B.K.	Scale: N.T.S.	Dwg No.: CB6-2.16M1