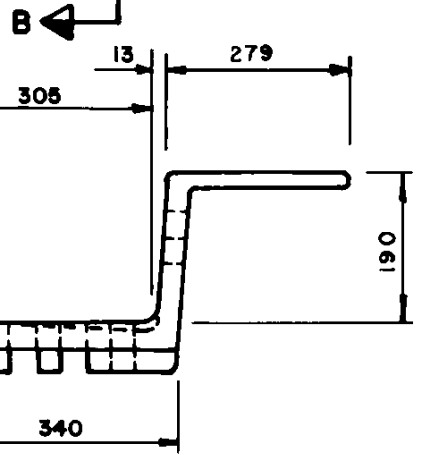
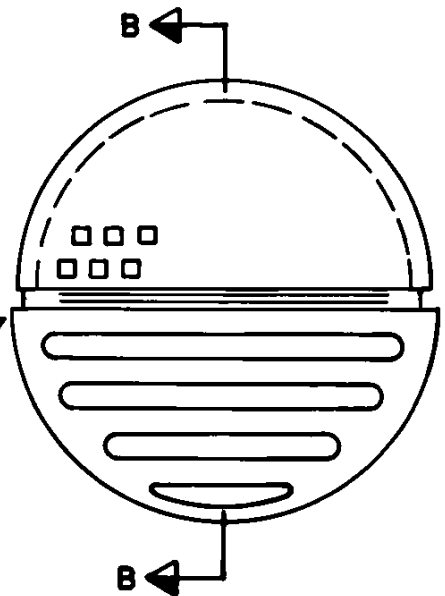
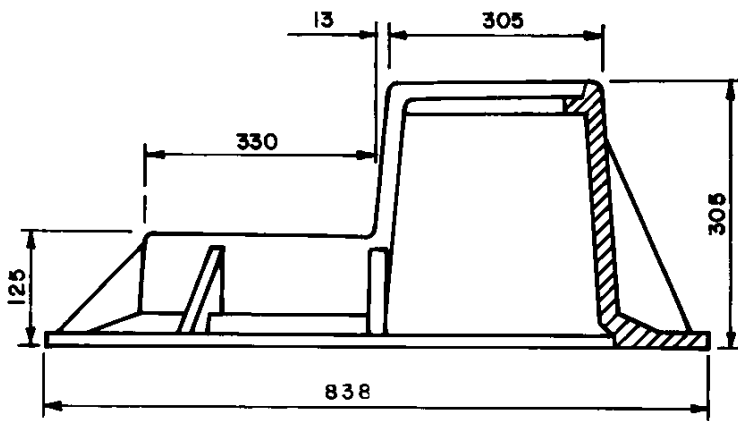


FRAME - PLAN VIEW

COVER - PLAN VIEW



SECTION B - B



SECTION A - A

NOTE: DETAIL BASED ON FOUNDRY
TYPE F-36A CASTINGS.

NOMINAL METRIC DIMENSIONS,
IN mm.

PLAN NOT TO SCALE

Alberta

TRANSPORTATION
Engineering Division

DWG. N^o CB6 2.10.M 25

Date

Original SEPT. 1986

Revised OCT. 1986

Revised

**STORM DRAIN INLET
FRAME and GRATE**