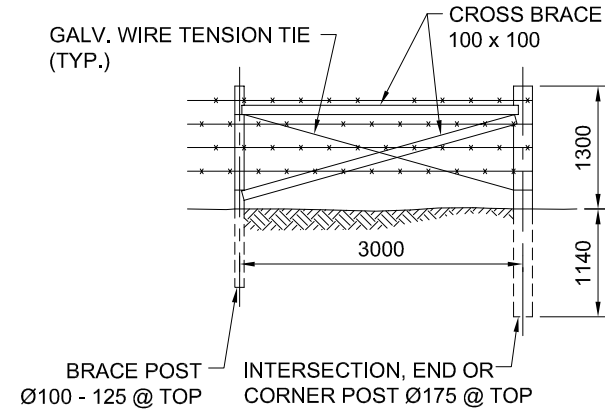


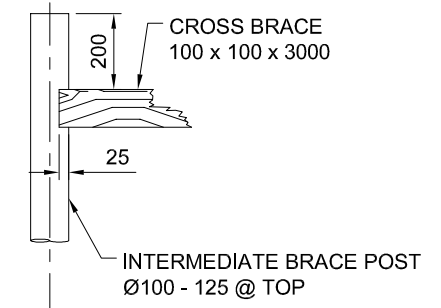
INSTALL BRACING EVERY 400 m ON TANGENT AND EVERY 200 m ON CURVE.

FENCE - ELEVATION
NTS

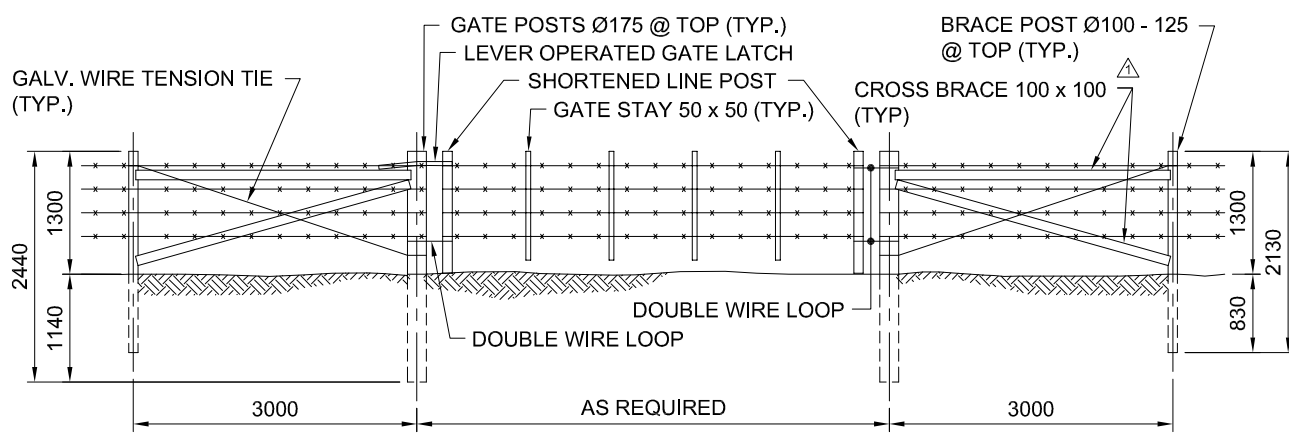


NOTE: BRACING TYPICAL IN ALL DIRECTIONS

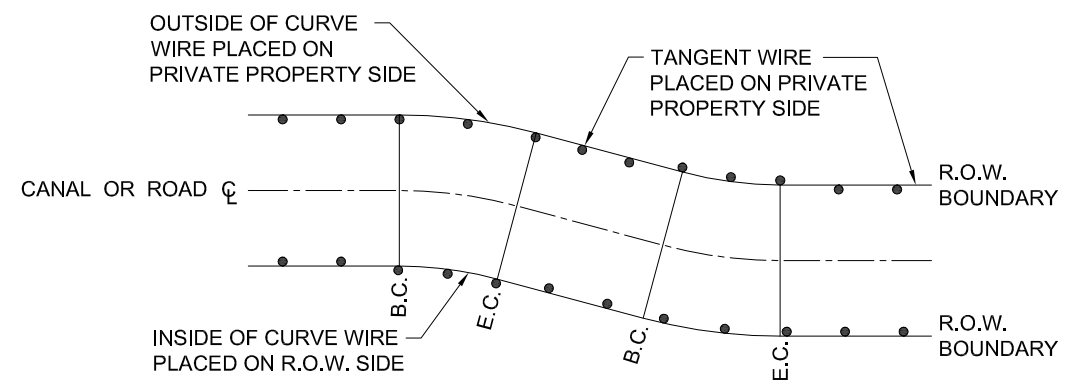
INTERSECTION OR END
NTS



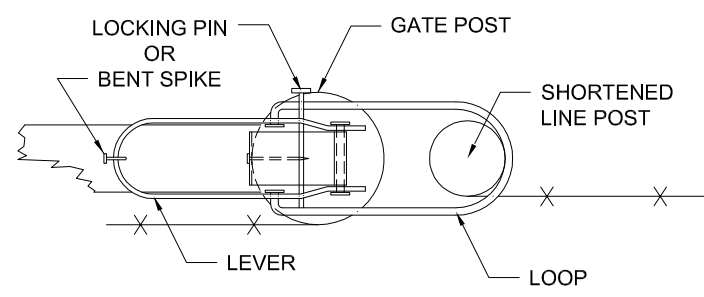
BRACE DETAIL
NTS



FARM GATE - ELEVATION
NTS

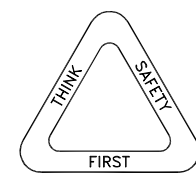


FENCE WIRE PLACEMENT
NTS



GATE LATCH PLAN DETAIL
NTS

- NOTES:
 1. ALL DIMENSIONS SHOWN IN MILLIMETRES.
 2. THIS DRAWING TO BE USED IN CONJUNCTION WITH THE MOST RECENT CIVIL WORKS MASTER SPECIFICATION, SECTION 02825.



AUTOCAD FILE No. S-9001-16.dwg

RECOMMENDED DIRECTOR WATER MANAGEMENT						
ORIGINAL SIGNED BY YVONNE CARIGNAN						
APPROVED EXECUTIVE DIRECTOR MAJOR CAPITAL PROJECTS BR.		BARBED WIRE FENCE				
ORIGINAL SIGNED BY LANDON REPPERT						
DESIGNER	ES	CHECKER	YC	DEPARTMENT BAR CODE DATE 2016-08-17	SHEET 1 OF 1	DRAWING S-9001-16